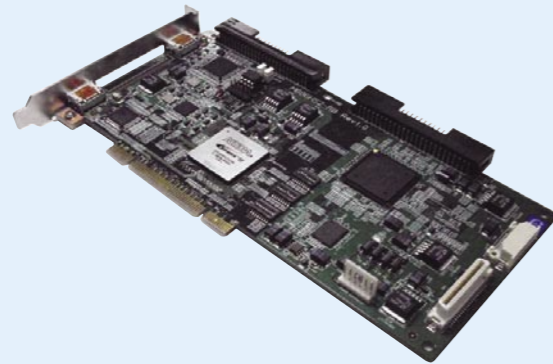


MB86H52-RB

MPEG-2 to H.264 Transcoder Development Kit



Overview

"MB86H52-RB" is a development kit to evaluate LSI "MB86H52" which can transcode from MPEG-2 HL to H.264. It has the PCI bridge in it, MPEG-2 and H.264 stream from PCI bus can be input and output. Moreover, the decoded baseband video and audio signal can be output from HDMI and the baseband video and audio signal input from HDMI can be encoded to H.264 stream.

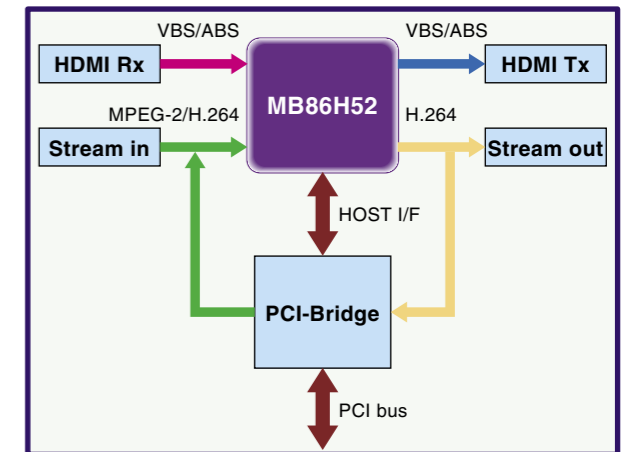
Function

Transcode (TS → TS)	Video	MPEG-2 HD → H.264 HD/SD MPEG-2 SD → H.264 SD
	Audio	Time stamp re-allocation
H.264 Encode (Baseband Signal → TS)	Video	VBS → H.264 HD/SD
	Audio	ABS → MPEG-1 Audio Layer2/other
H.264 Decode (TS → Baseband Signal)	Video	H.264 HD/SD → VBS
	Audio	MPEG-1 Audio Layer2/other → ABS

VBS = Video Baseband ABS = Audio Baseband
Transcoder/Encoder/Decoder are exclusive operation

Features

- HDMI input: Video1080i, 720p, 480i, Audio PCM, SPDIF
- HDMI output: Video1080i, 720p, 480i, Audio PCM, SPDIF
- PCI bus: 3.3V bus only, HOST I/F, Stream Read / Write
- Power +5V, +3.3V
- Extent ion connector mode1: Stream I/F
- Extent ion connector mode2: opt. board use
*exclusion use mode1 and mode2
- Component video input/output (option)
- Analog audio input/output (option)



Hardware Features

- 512Mbits DDR2, HDMI Tx/Rx
- 27MHz OSC, Clock Generator
- PCI-Bridge: FPGA
- on-board power generation: 0.9V, 1.2V, 1.8V, 2.5V, 3.3V
- Video ADC/DAC (option), Audio ADC/DAC (option)

Software

- Linux version
 - Driver API, Initialized application
 - Record/Play application, Driver control application
- Windows version
 - PCI driver
 - Record/Play application, Driver control application
 - Stream read filter, Stream write filter

FUJITSU MICROELECTRONICS LIMITED

Shinjuku Dai-ichi Seimei Bldg. 7-1, Nishishinjuku 2-chome, Shinjuku-ku, Tokyo 163-0722, Japan Tel: +81-3-5322-3347 Fax: +81-3-5322-3387
<http://jp.fujitsu.com/fml/en/>

North and South America
FUJITSU MICROELECTRONICS AMERICA, INC.
1250 E. Arques Avenue, M/S 333
Sunnyvale, CA 94085-5401, U.S.A.
Tel: +1-408-737-5600 Fax: +1-408-737-5999
<http://www.fma.fujitsu.com/>

Europe
FUJITSU MICROELECTRONICS EUROPE GmbH
Pittlerstrasse 47, 63225 Langen,
Germany
Tel: +49-6103-690-0 Fax: +49-6103-690-122
<http://emea.fujitsu.com/microelectronics/>

Korea
FUJITSU MICROELECTRONICS KOREA LTD.
206 KOSMO TOWER, 1002 Daechi-Dong,
Kangnam-Gu, Seoul 135-280 Korea
Tel: +82-2-3484-7100 Fax: +82-2-3484-7111
<http://www.fmk.fujitsu.com/>

Asia Pacific
FUJITSU MICROELECTRONICS ASIA PTE LTD.
151 Lorong Chuan, #05-08 New Tech Park
Singapore 556741
Tel: +65-6281-0770 Fax: +65-6281-0220
<http://www.fujitsu.com/sg/services/micro/semiconductor/>

FUJITSU MICROELECTRONICS SHANGHAI CO., LTD.
Rm. 3102, Bund Center, No.222 Yan An Road (E),
Shanghai 200002, China
Tel: +86-21-6335-1560 Fax: +86-21-6335-1605
<http://cn.fujitsu.com/fmc>

FUJITSU MICROELECTRONICS PACIFIC ASIA LTD.
10/F, World Commerce Centre, 11 Canton Road
Tsimshatsui, Kowloon
Hong Kong
<http://cn.fujitsu.com/fmc/tw>

Specifications are subject to change without notice. For further information please contact each office.

All Rights Reserved.

The contents of this document are subject to change without notice. Customers are advised to consult with sales representatives before ordering. The information, such as descriptions of function and application circuit examples, in this document are presented solely for the purpose of reference to show examples of operations and uses of FUJITSU MICROELECTRONICS device; FUJITSU MICROELECTRONICS does not warrant proper operation of the device with respect to use based on such information. When you develop equipment incorporating the device based on such information, you must assume any responsibility arising out of such use of the information. FUJITSU MICROELECTRONICS assumes no liability for any damages whatsoever arising out of the use of the information. Any information in this document, including descriptions of function and schematic diagrams, shall not be construed as license of the use or exercise of any intellectual property right, such as patent right or copyright, or any other right of FUJITSU MICROELECTRONICS or any third party or does FUJITSU MICROELECTRONICS warrant non-infringement of any third-party's intellectual property right or other right by using such information. FUJITSU MICROELECTRONICS assumes no liability for any infringement of the intellectual property rights or other rights of third parties which would result from the use of information contained herein. The products described in this document are designed, developed and manufactured as contemplated for general use, including without limitation, ordinary industrial use, general office use, personal use, and household use, but are not designed, developed and manufactured as contemplated (1) for use accompanying fatal risks or dangers that, unless extremely high safety is secured, could have a serious effect to the public, and could lead directly to death, personal injury, severe physical damage or other loss (i.e., nuclear reaction control in nuclear facility, aircraft flight control, air traffic control, mass transport control, medical life support system, missile launch control in weapon system), or (2) for use requiring extremely high reliability (i.e., submersible repeater and artificial satellite). Please note that FUJITSU MICROELECTRONICS will not be liable against you and/or any third party for any claims or damages arising in connection with above-mentioned uses of the products. Any semiconductor devices have an inherent chance of failure. You must protect against injury, damage or loss from such failures by incorporating safety design measures into your facility and equipment such as redundancy, fire protection, and prevention of over-current levels and other abnormal operating conditions. Exportation/release of any products described in this document may require necessary procedures in accordance with the regulations of the Foreign Exchange and Foreign Trade Control Law of Japan and/or US export control laws. The company names and brand names herein are the trademarks or registered trademarks of their respective owners.