
XG2000R Hardware Guide

Preface

You have purchased the XG2000R, a compact, 20 port 10 Gigabit Ethernet layer 2 switch that achieves unsurpassed standards of high throughput and low-latency performance. This manual explains the procedures required to install your XG2000R and should be read and understood before you start using your XG2000R.

First edition (March 2009)
Second edition (August 2010)
Third edition (April 2011)

For Safe Use of the XG2000R

This manual contains important information to ensure the safe use of your XG2000R. Be sure to thoroughly read and understand its contents before attempting to use the XG2000R. After reading, store this manual in a safe place for future reference. PFU has made every effort to ensure the safety of the user and others, and to prevent property damage. When using the XG2000R, follow the instructions given in this manual.

Warning notations

Warnings are included throughout this manual in order to prevent injury to the user and/or material damage. These are two levels of warnings, both of which are composed of a symbol and a message describing the issue.



WARNING

This symbol indicates the possibility of serious or fatal injury if the XG2000R is not used properly.



CAUTION

This symbol indicates the possibility of minor or moderate personal injury, as well as damage to the XG2000R and/or to other users and their property, if the XG2000R is not used properly.

Safety Guidelines

For your safety and that of others, please follow these guidelines.



WARNING

This symbol indicates the possibility of serious or fatal injury if the XG2000R is not used properly.

| Category | Warning |
|--|---|
| Danger of electric shock or fire | Never attempt to disassemble, dismantle, upgrade, or recycle the XG2000R by yourself. Do not place objects on the XG2000R, as there is a risk of electric shock, fire, and/or damage. |
| | Do not install the XG2000R where it will be exposed to direct sunlight, close to a heating device, or in an environment with much dust and high humidity, as there is a risk of electric shock and fire. |
| | For XG2000R models with cooling vents, do not block off the vents as these prevent the internal parts of the XG2000R from reaching high temperature, and there is a risk of fire. |
| | Do not wrap the running XG2000R with a cloth. Doing so keeps the heat in, and may cause a fire. |
| | Avoid getting any liquids (such as coffee) or pieces of metal (such as paper clips) into the XG2000R, as there is a risk of electric shock and fire. To avoid foreign objects getting into the XG2000R, never place objects on it. |
| | Do not put your fingers into the LAN jack, as there is a risk of electric shock. |
| | Do not use the XG2000R with any voltage other than that specified on the device, as there is a risk of electric shock and fire. |
| | In case of strange heat, smoke, and/or a strange smell with XG2000R, immediately disconnect the power cord from the AC outlet. To make this easy, set the XG2000R nearby the AC outlet, and keep it within the reach of the power cord for pulling it easily. After the power is disconnected, contact the vendor's service department immediately. Continued use of the XG2000R may cause an electric shock and fire. Note that in this case, the state of data in transmission is not guaranteed. |
| | If the power plug or power socket is dirty, clean it with a dry cloth. Continued use may cause a fire. |
| | Do not touch the power plug with wet hands, as there is a risk of electric shock. |
| Insert the power plug completely into the power socket. | |
| A partially inserted power plug may cause an electric shock, give off smoke, and/or catch fire. | |
| When you remove a power plug from its outlet, be sure to pull the only power plug itself. Pulling on the power cord itself may expose the cores or break the cord, and cause electric shock or fire. | |

| Category | Warning |
|----------------------------------|--|
| Danger of electric shock or fire | If the XG2000R is to be left unused for any significant period, remove the power plug from the outlet for safety reasons. Failure to do so may cause a fire or damage. |
| | Do not damage or remodel the power cords, as this may cause electric shock or fire. Do not place any object on, wrap any object with, pull and/or kick the power cords, as there is a risk of electric shock and fire. |
| Danger of electric shock or fire | Never overload a power outlet with multiple devices. If too many devices are connected, the power socket may overheat and cause a fire. |
| | When you remove a power plug from an outlet, be sure to pull the power plug itself. A power plug damaged by incorrect removal may cause an electric shock and fire. |
| | Do not use the XG2000R with a damaged power cord, a damaged power plug, and/or a loose socket. Continued use under these conditions may cause an electric shock and fire. |
| | Do not bundle the power cords. Doing so increases the heat density, and may cause a fire. |
| | Do not use the power cords attached to this product for other products, as there is a risk of electric shock, fire, and/or damage. |
| Danger of breakage and injury | Do not place the XG2000R on its side or stack up multiple XG2000Rs. Ignoring this may damage the XG2000R or injure the operator. |
| | Do not install the XG2000R in an unstable place (such as on a slanted surface or a place subjected to vibrations). Doing so may cause injury or device damage. |
| | Do not place any objects or perform any work on the XG2000R. Ignoring this may damage the XG2000R or injure the operator. |
| | Never leave the plastic bags the XG2000R was packed in around where children can find them, as they may suck them into their mouths or place them over their heads in fun, with a severe risk of choking and asphyxia. |
| | Do not dispose the XG2000R with other wastes. If burnt, the XG2000R can explode. |
| Danger when cleaning | Do not use any inflammable aerosol cleaners. Doing so may damage XG2000R as well as cause fire. |



This symbol indicates the possibility of minor or moderate personal injury, as well as damage to the XG2000R and/or to other users and their property, if the XG2000R is not used properly.

| Category | Caution |
|-------------------------|--|
| Danger of device damage | Do not place the XG2000R on its side or stack up multiple XG2000Rs. Doing so may damage the XG2000R. |
| | Do not install the XG2000R in an unstable place (such as on a slanted surface or a place subjected to vibrations). Doing so may damage the XG2000R. |
| | Do not place any objects or perform any work on the XG2000R. Doing so may damage the XG2000R. |
| | Install the XG2000R inside a building. Using the XG2000R outside may damage it. |
| | Do not use the XG2000R in areas of extremely high temperature, low temperature, or a area where the temperature goes up and down suddenly. Installing the XG2000R in such areas may damage it. |
| | Do not expose the XG2000R to seawater. Installing the XG2000R in such areas may damage it. |
| | Do not use the XG2000R in a place subjected to shock or vibrations. Using the XG2000R in such a place may damage it. |
| | Do not use the XG2000R in a place where chemicals are being sprayed or may otherwise come in contact with it. Using the XG2000R in such a place may damage it. |
| | Do not use the XG2000R near objects which generate strong magnetic fields, such as microwave ovens. Using the XG2000R in such place may damage it. |
| | Do not use the XG2000R with foreign objects (liquids and/or pieces of metal) inside it. Using the XG2000R in such a condition may damage it. |
| | When moving the XG2000R, be sure to remove the power plug from the outlet first. No doing so may damage it. |
| | Do not carry or apply shock or vibration while powered. |

| Category | Caution |
|--|--|
| Danger of electromagnetic interference | Do not use the XG2000R near a radio or a TV. Doing so can interfere with the radio and TV reception. |
| Danger of electric shock | To avoid an electric shock, do not open the cover unless you are a maintenance engineer. When performing maintenance on the XG2000R, be sure to remove the power plug from the outlet first. |
| Danger when rackmounting | <p>Only use the XG2000R if the temperature inside the rack is 40°C or less. Ignoring this may damage the XG2000R.</p> <p>Ensure that the rack is sufficiently ventilated and that excess heat is properly exhausted.</p> <p>Check that the configuration of devices in the rack does not overload the power supply.</p> <p>To ensure the stability of the rack, fix it to the wall or floor as appropriate.</p> <p>Do not install the XG2000R in a rack if it would make it unstable.</p> <p>Check that all units installed in the rack are correctly connected to a grounded power source.</p> <p>Set the XG2000R nearby the AC outlet, and keep it within the reach of the power cord for pulling it easily. The XG2000R is shut off by pulling the power cord off the AC outlet.</p> <p>Hold XG2000R tight when unranking or it may fall to cause injury.</p> |
| Danger when cleaning | When cleaning the XG2000R, only use a soft cloth, and wipe it gently. |
| Danger when fibre connector | Optic fibre connector and cable should be cleaned or connected properly. Otherwise communication can be unstable or erroneous. |

No self maintenance

Never attempt to dismantle or modify the XG2000R yourself. This is extremely dangerous since the XG2000R includes both high voltage and high temperature components. If maintenance is required, contact the vendor's service department.

Warning label

The following warning label may be found on the top of XG2000R. Do not attempt to remove this warning label.



Safety precautions

- The expected life of the XG2000R is approximately five years, assuming use at an ambient temperature of 25°C.
- Use of this hardware guide, the XG2000R, its firmware, and the management software are the responsibility of the user.
- Fujitsu and its partners accept no responsibility for any errors or data loss arising from use of the XG2000R. Before using the XG2000R, it should be understood that the XG2000R is not guaranteed against failure for any more than the original purchase price.
- Fujitsu and its partners do not approve of any use of the firmware provided with the XG2000R, or of any authorized firmware upgrades, for any purpose other than installation on the XG2000R. Modification and disassemble are not permitted at all.
- When connecting up the fiber optic cables, check that there is no dust, foreign objects or fingerprints on the connector surfaces.

For security

A default login password is set before the XG2000R is shipped. For security reasons, a new password should be chosen before the XG2000R is used.

Safety

CAN/CSA C22.2 No.60950-01,UL60950-1 and EN60950-1

Static electricity

Under certain conditions, twisted pair cables can become charged with static electricity. Connecting a statically charged twisted pair cable to a device can cause the device or its LAN port to operate falsely or to become damaged.

Use a static removal tool to discharge twisted pair cables to ground immediately before connecting them to devices.

Note that a discharged twisted pair cable that has been left unconnected for a long time may become statically charged again.

High safety

[Use for the high safety required case]

The XG2000R is designed, developed and manufactured as contemplated for general use, including without limitation, general office use, personal use, household use, and ordinary industrial use, but is not designed, developed and manufactured for use in situations with accompanying fatal risks or dangers that, unless extremely high safety is secured, could lead directly to death, personal injury, severe physical damage or other loss (hereinafter "High Safety Required Use"), including without limitation, nuclear reaction control in nuclear facility, aircraft flight control, air traffic control, mass transport control, medical life support system, and missile launch control in weapon systems.

Do not use the XG2000R for High Safety Required Use without otherwise ensuring the safety level required. Fujitsu and its related companies assume no liability whatsoever for damages arising from use of the XG2000R by the user in high-safety applications, and for any claims or compensation for damages by the user or a third party.

Laser safety

The XG2000R can install a class 1 laser module (XFP module), and can emit invisible laser light. Do not look into the 10 Gigabit Ethernet port openings. The following warning applies to the XG2000R's laser:

- The XG2000R can install XFP modules, which are laser devices.
In the USA, these XFP modules are certified as Class 1 laser products that conform to the requirements of the Department of Health and Human Services (DHHS) regulation 21 CFR Subchapter J, and this certification is indicated by a label attached to each XFP module.
Outside the USA, these XFP modules are certified as Class 1 laser products that conform to the requirements given in IEC60825-1 (2007) and EN60825-1 (2007).

- Even when cables are not connected, invisible laser light may be still emitted from the port openings. To avoid this laser light, never peer into the port openings.

*XFP module which install in XG2000R must be selected from our specified (Please contact your vendor's representative for the XFP modules specified by us).

Power Cord Requirements

Use the power cord attached for this product.

The power cord attached for this product can not be used on any other products.

Power cord for use in other countries must meet the requirements of the country where you use this product.

Attached power cord is for exclusive use of USA or CANADA.

If you use this product in other country, contact your vendor's representative.

WARNING

Do not use the power cords attached to this product for other products, as there is a risk of electric shock, fire, and/or damage.

Connecting the power cords

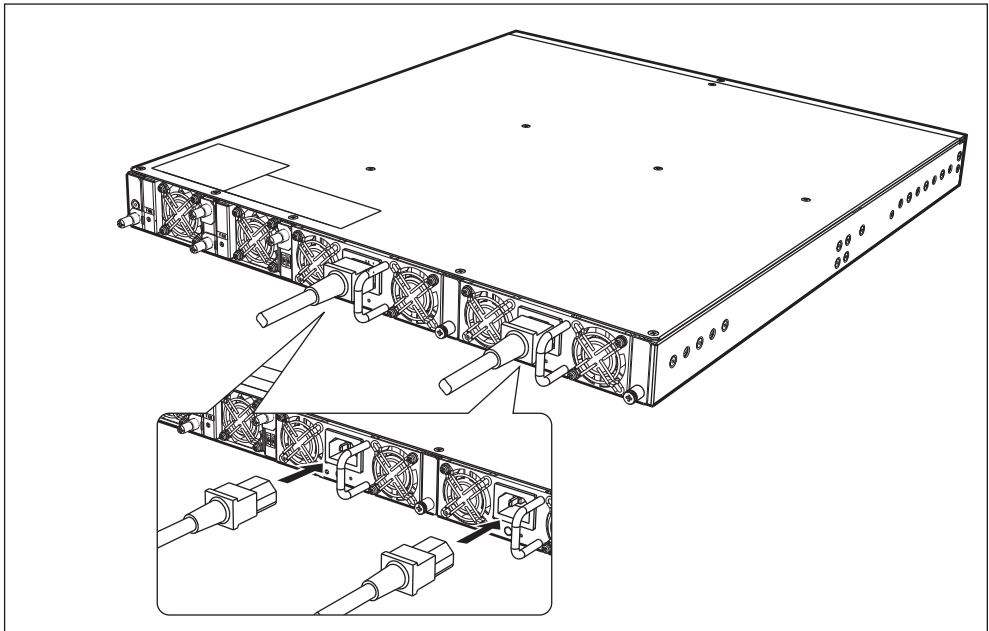
After connecting the peripheral units, connect the XG2000R power cords.

WARNING

- Do not touch the power plug with wet hands, as there is a risk of electric shock.
 - Do not damage or remodel the power cords, as this may cause electric shock or fire. Placing a heavy object on, pulling, excessively bending, twisting, or overheating a power cord can damage it, and may cause electric shock or fire.
 - Do not use the XG2000R with a damaged power cord, a damaged power plug, and/or a loose socket. Continued use under these conditions may cause a fire.
 - If the power plug pins or socket holes are dusty, clean with a dry cloth. Continued use with a dirty power plug or socket may cause electric shock or fire.
-

1. Connect the power cords to the XG2000R.

Insert the power plugs into the power inlets at the rear of the XG2000R.



Uso seguro del XG2000R

Este manual contiene información importante para garantizar el uso seguro del XG2000R. Asegúrese de leer y comprender totalmente su contenido antes de utilizar el XG2000R. Después de leerlo, guárdelo en un lugar seguro para referencia futura.

PFU ha hecho todo lo posible para garantizar la seguridad del usuario y de otras personas, así como para evitar daños a la propiedad. Cuando utilice el XG2000R, siga las instrucciones indicadas en este manual.

Notas de advertencia

A lo largo de este manual se incluyen advertencias con el fin de prevenir lesiones al usuario y/o daños materiales. Existen dos niveles de advertencias, las cuales se indican con un símbolo y un mensaje que describe el problema.



WARNING

Este símbolo indica la posibilidad de que ocurran lesiones graves o fatales si el XG2000R no se utiliza correctamente.



CAUTION

Este símbolo indica la posibilidad de que ocurran lesiones personales leves o moderadas, así como daños al XG2000R y/o a otros usuarios y sus bienes, si la unidad no se utiliza correctamente.

Instrucciones de seguridad

Para su seguridad y la de los demás, por favor siga estas pautas.



WARNING

Este símbolo indica la posibilidad de que ocurran lesiones graves o fatales si el XG2000R no se utiliza correctamente.

| Categoría | Advertencia |
|--|--|
| Peligro de descarga eléctrica o incendio | Nunca intente desarmar, desmantelar, actualizar o reciclar el XG2000R por su cuenta. No coloque objetos sobre la unidad, ya que existen riesgos de descarga eléctrica, incendio y/o daños. |
| | No instale el XG2000R en lugares expuestos a la luz solar directa, cerca de un aparato que emita calor, o en un ambiente con mucho polvo y humedad, ya que existen riesgos de descarga eléctrica e incendio. |
| | En el caso de los modelos XG2000R con ranuras de ventilación, no las bloquee, ya que evitan que las piezas internas de la unidad alcancen altas temperaturas y previenen el riesgo de incendio. |
| | No cubra el XG2000R con telas mientras esté en funcionamiento. En ese caso, el calor se mantiene en el interior y puede causar un incendio. |
| | Evite que caigan líquidos (como café) o piezas de metal (por ejemplo, clips) en el interior del XG2000R, ya que existen riesgos de descarga eléctrica e incendio. Para evitar que algún objeto extraño pueda entrar a la unidad, nunca coloque objetos sobre ella. |
| | No introduzca los dedos en el conector de red LAN, ya que existe un riesgo de descarga eléctrica. |
| | No utilice el XG2000R con ningún voltaje que no sea el especificado en el dispositivo, ya que existen riesgos de descarga eléctrica e incendio. |
| | En caso de que haya presencia de calor no habitual, humo y/o algún olor inusual mientras se utiliza el XG2000R, desconecte inmediatamente el cable de alimentación de la toma de corriente alterna. Para facilitar esta tarea, coloque la unidad en las proximidades de la toma de corriente y manténgala cerca del cable de alimentación para poder desenchufarlo fácilmente. Una vez que desconecte el cable de alimentación, comuníquese de inmediato con el departamento de servicio del proveedor. El uso del XG2000R en tales condiciones puede causar una descarga eléctrica o un incendio. Tenga en cuenta que, en este caso, no se garantiza el estado de los datos en transmisión. |
| | Si el enchufe o la toma de alimentación están sucios, límpielos con un paño seco. El uso en tales condiciones puede causar un incendio. |
| No toque el enchufe con las manos mojadas, ya que existen riesgos de descarga eléctrica. | |

| Categoría | Advertencia |
|--|--|
| Peligro de descarga eléctrica o incendio | Inserte el enchufe por completo en la toma de alimentación. Si el enchufe se inserta parcialmente, puede producir una descarga eléctrica, emitir humo y/o incendiarse. |
| | Al retirar un enchufe de la toma, asegúrese de tirar únicamente del enchufe. Tirar del cable de alimentación puede exponer los conductores o romper el cable, y provocar descargas eléctricas o incendio. |
| | Si el XG2000R no se utiliza por un período considerable, retire el enchufe de la toma por razones de seguridad. Si no lo hace, puede ocurrir un incendio o daños. |
| | No dañe ni modifique los cables de alimentación, ya que esto puede causar descargas eléctricas o incendios. No coloque ningún objeto sobre los cables de alimentación, y tampoco envuelva nada con ellos, no tire de ellos ni los patee, ya que existen riesgos de descarga eléctrica e incendio. |
| | Nunca sobrecargue las tomas de alimentación con varios dispositivos. Si se conectan demasiados dispositivos, el conector puede recalentarse y causar un incendio. |
| | Al retirar un enchufe de una toma, asegúrese de tirar únicamente del enchufe. Un enchufe dañado por ser extraído incorrectamente puede causar una descarga eléctrica e incendio. |
| | No utilice el XG2000R con un cable de alimentación dañado, un enchufe en malas condiciones y/o un tomacorriente flojo. El uso continuado en estas condiciones puede causar una descarga eléctrica e incendio. |
| | No agrupe los cables de alimentación. Si lo hace, aumentará la densidad de calor y puede ocurrir un incendio. |
| No use los cables de alimentación de este producto en otros productos, ya que existen riesgos de descarga eléctrica, incendio y/o daños. | |
| Peligro de rotura y lesiones | No coloque el XG2000R apoyado de lado y tampoco apile múltiples unidades XG2000R. Ignorar esta recomendación puede dañar la unidad o provocar lesiones al operador. No instale el XG2000R en un lugar inestable (como una superficie inclinada o un lugar sometido a vibraciones). En caso contrario, pueden ocurrir lesiones a las personas o daños al dispositivo. |
| | No coloque ningún objeto y tampoco realice ningún trabajo sobre el XG2000R. Ignorar esta recomendación puede dañar la unidad o provocar lesiones al operador. |
| | Nunca deje las bolsas de plástico en las que el XG2000R viene embalado en lugares donde los niños pueden encontrarlas, ya que podrían llevárselas a la boca o ponérselas en la cabeza para divertirse, con un grave riesgo de ahogo y asfixia. |
| | No deseche el XG2000R con otros desperdicios. Si se quema, la unidad puede explotar. |
| Peligro durante la limpieza | No use ningún producto de limpieza inflamable en aerosol. Si lo hace, puede dañar el XG2000R y también provocar un incendio. |



Este símbolo indica la posibilidad de que ocurran lesiones personales leves o moderadas, así como daños al XG2000R y/o a otros usuarios y sus bienes, si la unidad no se utiliza correctamente.

| Categoría | Advertencia |
|---------------------------------|---|
| Peligro de daños al dispositivo | No coloque el XG2000R apoyado de lado y tampoco apile múltiples unidades XG2000R. Si lo hace, la unidad podría dañarse. No instale el XG2000R en un lugar inestable (como una superficie inclinada o un lugar sometido a vibraciones). Si lo hace, la unidad podría dañarse. |
| | No coloque ningún objeto y tampoco realice ningún trabajo sobre el XG2000R. Si lo hace, la unidad podría dañarse. |
| | Instale el XG2000R en el interior de un edificio. El uso de la unidad en exteriores puede dañarla. |
| | No utilice el XG2000R en zonas con extremos altos o bajos de temperatura, o donde la temperatura pueda cambiar repentinamente. La instalación de la unidad en estas zonas puede dañarla. |
| | No exponga el XG2000R al agua de mar. La instalación de la unidad en estas zonas puede dañarla. |
| | No utilice el XG2000R en lugares sometidos a golpes o vibraciones. El uso de la unidad en lugares de este tipo puede dañarla. |
| | No utilice el XG2000R en lugares donde se rocíen productos químicos o donde estos puedan entrar en contacto de otro modo con la unidad. El uso de la unidad en lugares de este tipo puede dañarla. |

| Categoría | Advertencia |
|---|--|
| Peligro de daños al dispositivo | No utilice el XG2000R cerca de objetos que generen fuertes campos magnéticos, como los hornos de microondas. El uso de la unidad en lugares de este tipo puede dañarla. |
| | No utilice el XG2000R si contiene objetos extraños en su interior (líquidos y/o piezas de metal). El uso de la unidad en esas condiciones puede dañarla. |
| | Cuando traslade el XG2000R, asegúrese de retirar primero el enchufe de la toma de alimentación. Si omite esta medida, la unidad puede resultar dañada. |
| | No transporte la unidad y tampoco le aplique golpes o vibraciones mientras esté en funcionamiento. |
| Peligro de interferencia electromagnética | No utilice el XG2000R cerca de una radio o un televisor. Esta ubicación puede interferir con la recepción de la radio o el televisor. |
| Peligro de descarga eléctrica | Para evitar una descarga eléctrica, no abra la tapa de la unidad, a menos que usted sea un ingeniero de mantenimiento. |
| | Cuando realice tareas de mantenimiento en el XG2000R, asegúrese de retirar primero el enchufe de la toma de alimentación. |
| Peligro durante el montaje en rack | Utilice el XG2000R únicamente si la temperatura en el interior del rack es de 40 °C o menos. Ignorar esta recomendación puede dañar la unidad. |
| | Asegúrese de que el rack esté suficientemente ventilado y que el exceso de calor se elimine correctamente. |
| | Compruebe que la configuración de dispositivos en el rack no sobrecargue la fuente de alimentación. |
| | Para garantizar la estabilidad del rack, fíjelo a la pared o al piso, según resulte apropiado. |
| | No instale el XG2000R en un rack si existen condiciones de inestabilidad. |
| | Compruebe que todas las unidades instaladas en el rack estén correctamente conectadas a una fuente de alimentación a tierra. |
| | Coloque el XG2000R en las proximidades de la toma de corriente alterna, y manténgala cerca del cable de alimentación para poder desenchufarlo fácilmente. La unidad se apaga desenchufando el cable de alimentación de la toma de corriente alterna. |
| Cuando retire el XG2000R del rack, sosténgalo con cuidado, ya que su caída puede causar lesiones. | |
| Peligro durante la limpieza | Cuando limpie el XG2000R, utilice únicamente un paño suave y límpielo con cuidado. |
| Peligro asociado con el conector de fibra óptica | El conector de fibra óptica y los cables correspondientes deben limpiarse y conectarse correctamente. De lo contrario, la comunicación puede ser inestable o errónea. |

No realice tareas de mantenimiento

Nunca intente desarmar o modificar el XG2000R por su cuenta. Esto es extremadamente peligroso, dado que el XG2000R incluye componentes de alto voltaje y alta temperatura. Si se requiere el mantenimiento, comuníquese con el departamento de servicio del proveedor.

Etiqueta de advertencia

Es posible que la siguiente etiqueta de advertencia se encuentre en la parte superior del XG2000R. No intente retirarla.

| |
|---|
| <p>▲ 注意 感電 保守する前に、すべての電源コードを抜いてください。 (ただし、活性保守時はこの限りではない。)</p> |
| <p>▲ 注意 触电 在维护装置之前,请将所有的电源插头拔掉。 (但是在动态维护时不用拔掉)</p> |
| <p>▲ CAUTION DISCONNECT ALL POWER SUPPLY CORDS BEFORE SERVICE TO AVOID ELECTRIC SHOCK. (EXCEPT FOR ACTIVE MAINTENANCE)</p> |
| <p>▲ PRECAUCION Para evitar descargas eléctricas desconecte todos los cordones de las fuentes de alimentación antes de dar servicio.(excepto para mantenimiento activo)</p> |
| <p>▲ ACHTUNG ZIEHEN SIE ALLE GERATENETZSTECKER ODER SCHALTEN SIE DIE STROMVERSORGUNGEN MIT DEM NETZTRENNNSCHALTER AB, BEVOR SIE WARTUNGSARBEITEN VORNEHMEN, UM SICH VOR ELEKTRISCHEM SCHOCK ZU SCHÜTZEN. (AUSSER BEI AKTIVER WARTUNG) <input type="checkbox"/></p> |

Precauciones de seguridad

- La vida útil prevista del XG2000R es de aproximadamente cinco años, suponiendo el uso a una temperatura ambiente de 25 °C.
- El uso de esta guía de hardware, del XG2000R, su firmware y el software de administración es responsabilidad del usuario.
- Fujitsu y sus empresas asociadas no aceptan ninguna responsabilidad por ningún error o pérdida de datos derivados de la utilización del XG2000R. Antes de utilizarlo, debe entenderse que la unidad no está garantizada contra fallas por un valor superior al precio de compra original.
- Fujitsu y sus empresas asociadas no aprueban el uso del firmware proporcionado con el XG2000R, o de ninguna actualización autorizada del firmware, para ningún fin que no sea su instalación en la unidad. No se permite modificación o desmontaje alguno.
- Cuando conecte los cables de fibra óptica, compruebe que no haya presencia de polvo, objetos extraños o huellas dactilares en las superficies del conector.

Seguridad administrativa

Antes de ser despachado, el XG2000R se configura con una contraseña predeterminada de inicio de sesión. Por razones de seguridad administrativa, antes de utilizar la unidad debe utilizarse una nueva contraseña.

Normas de seguridad

CAN/CSA C22.2 N° 60950-01, UL60950-1 y EN60950-1

Electricidad estática

En ciertas condiciones, los cables de par trenzado pueden cargarse con electricidad estática. La conexión de un cable de par trenzado con carga estática a un dispositivo puede hacer que éste o su puerto LAN operen de manera errónea o resulten dañados.

Use una herramienta disipadora de electricidad estática para descargar a tierra los cables de par trenzado inmediatamente antes de conectarlos a los dispositivos.

Tenga en cuenta que si un cable de par trenzado es descargado y permanece desconectado durante mucho tiempo, puede volver a cargarse con electricidad estática.

Alta seguridad

[Uso en casos que requieran altos niveles de seguridad]

El XG2000R está diseñado, desarrollado y fabricado teniendo en cuenta el uso general, incluidos a modo de ejemplo el uso general de oficina, uso personal, uso doméstico y uso industrial común, pero no está diseñado, desarrollado ni fabricado para ser utilizado en situaciones con riesgos o peligros fatales que, a menos que se garantice una muy alta seguridad, podrían ser causa directa de muerte, lesiones personales, daños físicos graves u otras pérdidas (en lo sucesivo, "Uso que requiere alta seguridad"). Estos casos incluyen, a modo de ejemplo, control de reacciones nucleares en instalaciones nucleares, control de vuelo en aeronaves, control de tráfico aéreo, control de transporte masivo, sistemas médicos de apoyo vital y control de lanzamiento de misiles en sistemas de armas.

No utilice el XG2000R en casos que requieran alta seguridad sin garantizar de otra manera el nivel de seguridad exigido. Fujitsu y sus empresas asociadas no asumen responsabilidad alguna por daños y perjuicios derivados del uso de esta unidad por el usuario en aplicaciones que requieran alta seguridad, y tampoco por ninguna reclamación o indemnización por daños y perjuicios por parte del usuario o de un tercero.

Seguridad del láser

El XG2000R puede tener instalado un módulo láser de Clase 1 (módulo XFP) que emite luz láser invisible. No dirija su vista al interior de las aperturas de los puertos Ethernet de 10 Gbps. La siguiente advertencia se aplica al módulo láser de esta unidad:

- El XG2000R puede tener módulos XFP instalados, que son dispositivos láser. En los Estados Unidos, estos módulos XFP están certificados como productos de Clase 1 que guardan conformidad con los requisitos de la reglamentación 21 del Código de Reglamentaciones Federales (CFR), Subcapítulo J, del Departamento de Salud y Servicios Humanos (DHHS), y esta certificación se indica con una etiqueta adherida a cada módulo XFP. Fuera de los Estados Unidos, estos módulos XFP están certificadas como productos de Clase 1 que guardan conformidad con los requisitos establecidos en las normas IEC60825-1 (2007) y EN60825-1 (2007).
- Incluso cuando los cables no están conectados, las aperturas de los puertos pueden emitir luz láser invisible. Para evitar esta luz láser, nunca dirija la vista al interior de las aperturas de los puertos.
 - * El módulo XFP instalado en el XG2000R debe ser seleccionado entre los modelos especificados por nuestra compañía. (Para saber cuáles son estos módulos XFP, comuníquese con el representante de su proveedor).

Requisitos de cables de alimentación

Utilice el cable de alimentación que se provee para este producto.

El cable de alimentación provisto para este producto no puede utilizarse en otros productos. Los cables de alimentación a ser utilizados en otros países deben cumplir con los requisitos del país donde se utilice este producto.

El cable provisto es para ser utilizado exclusivamente en los ESTADOS UNIDOS o el CANADÁ.

Si utiliza este producto en otro país, comuníquese con el representante de su proveedor.

No use los cables de alimentación de este producto en otros productos, ya que existen riesgos de descarga eléctrica, incendio y/o daños.

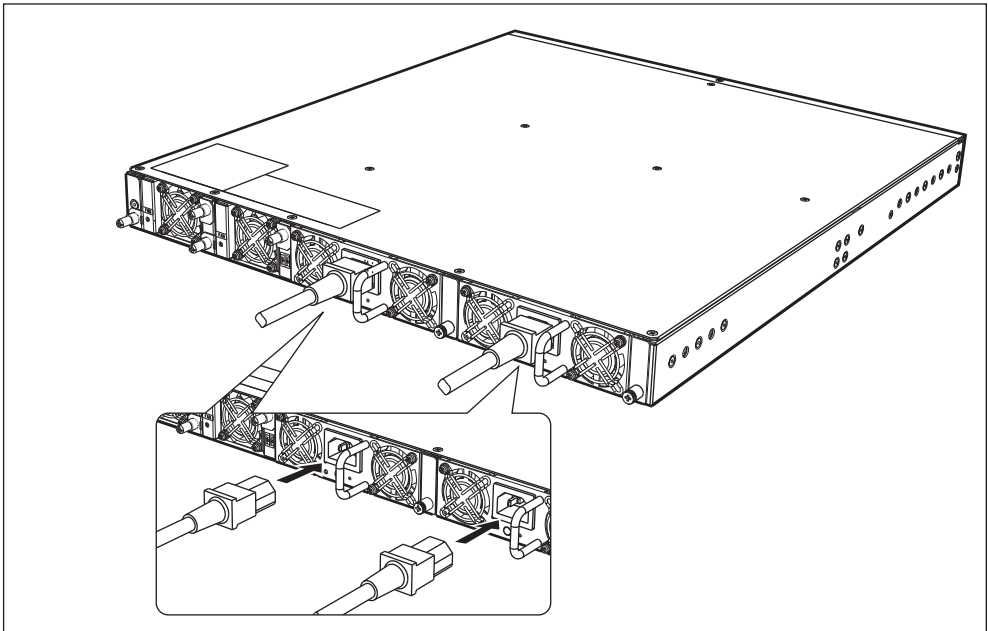
Conexión de los cables de alimentación

Después de conectar las unidades periféricas, conecte los cables de alimentación del XG2000R.

- No toque el enchufe con las manos mojadas, ya que existen riesgos de descarga eléctrica.
- No dañe ni modifique los cables de alimentación, ya que esto puede causar descargas eléctricas o incendios. La colocación de un objeto pesado sobre un cable de alimentación, tirar de él, doblarlo en exceso, retorcerlo o recalentarlo puede dañarlo y causar una descarga eléctrica o un incendio.
- No utilice el XG2000R con un cable de alimentación dañado, un enchufe en malas condiciones y/o un tomacorriente flojo. El uso continuado en estas condiciones puede causar un incendio.
- Si el enchufe o los orificios de la toma de alimentación tienen polvo, límpielos con un paño seco. El uso continuado con un enchufe o una toma sucios puede provocar una descarga eléctrica o un incendio.

Conexión de los cables de alimentación al XG2000R.

Inserte los conectores en las entradas de alimentación que se encuentran en la parte trasera de la unidad.



XG2000R 安全使用手册


本手册包含有如何安全使用 XG2000R 的重要信息。在使用 XG2000R 之前务必阅读并理解本手册的内容。


在阅读之后，请将本手册保存在安全的地方以便日后参阅。

PFU 为了确保使用者的安全和防止设备的损坏已尽了各种努力。在使用 XG2000R 之时，请务必遵守本手册的指示。

警告标记


为了防止伤害使用者和 / 或者损坏设备，在本手册里含有各种警告。警告分为两个层次，各个警告都会有一个标记和说明文。

 **警告** 这个标记说明了如果没有正确的使用 XG2000R，将有可能导致严重的伤害。

 **注意** 这个标记说明了如果没有正确的使用 XG2000R，将有可能导致轻微的个人伤害并损坏 XG2000R，以及可能伤害其他的使用者和损害他们的财产。

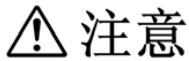
安全指示

为了你的安全和其他的事项，请务必遵守本手册的指示。

 **警告** 这个标记说明了如果没有正确的使用 XG2000R，将有可能导致严重的伤害。

| 分类 | 警告 |
|----------|--|
| 触电和火灾的危险 | 绝对不要尝试拆开，分解，改造，或者再利用 XG2000R。不要放任何东西在 XG2000R 上面，否则会引起触电，火灾和 / 或者导致设备受损。 |
| | 不要将 XG2000R 设置在直射的阳光下，或者在接近任何的加热（取暖）设备的地方，或者在高湿度和充满灰尘的地方。否则会引起触电，火灾和 / 或者导致设备受损。 |
| | 对于装有通风口的 XG2000R，不要封住通风口。否则会导致 XG2000R 内部零件的高温，从而引起火灾。 |
| | 不要用布包住正在使用中的 XG2000R。否则会将热气封闭在 XG2000R 的内部，从而引起火灾。 |
| | 避免将液体（比如咖啡）或者金属片（比如纸夹）放入 XG2000R 的里面，否则会引起触电和火灾。为了避免任何物体掉入 XG2000R，绝对不要放置任何物体在 XG2000R 的上面。 |
| | 不要将手指伸入网络接口内，否则会导致触电。 |
| | 不要使用与 XG2000R 指定的不同电压，否则会导致触电和火灾。 |
| | 如果有感觉到从 XG2000R 发出的不明热气，烟，和 / 或者气味，应立即切断电源。为了方便起见，请将 XG2000R 设置在电源的附近，并保持电源接线在容易够得到的地方。 在切断电源后，立即联络 XG2000R 销售公司的服务部门。如果继续使用 XG2000R 将导致触电和火灾。在上述状况中，XG2000R 无法保证数据的正常转送。 |
| | 如果电源插头或者电源插口肮脏，请用干布擦拭干净。 |

| 分类 | 警告 |
|----------|---|
| 触电和火灾的危险 | 不要用湿的手去接触电源插头，否则会导致触电。 |
| | 应将电源插头完全插入电源插口内。如果电源插头没有完全插入电源插口内，将导致触电，冒烟，和 / 或者引起火灾。 |
| 触电和火灾的危险 | 如果要拔下电源插头，请直接握住电源插头本身拔出。如果直接拉电源接线，将会导致电源金属线的暴露或者拉断电源接线，从而引起触电和火灾。 |
| | 如果长时间不使用 XG2000R，从安全起见应拔掉电源。否则将导致火灾或使设备受损。 |
| | 不要损坏或者改造电源接线，否则会导致触电和火灾。不要放任和物体，或者卷任何东西在电源接线上，不要拉扯，或者踢电源接线，这些都会导致触电和火灾。 |
| 触电和火灾的危险 | 绝对不要连接过量的设备在同一个电源上。否则会导致电源插口过热，并引起火灾。 |
| | 如果要拔电源插头，请直接握住电源插头本身拔出。如果不适当的拔下电源插头，将会导致触电和火灾。 |
| | 不要让 XG2000R 使用受损的电源接线，受损的电源插头或者松动的电源插口。连续在上述情况下使用 XG2000R 可导致触电和火灾。 |
| | 不要将电源接线捆在一起。否则会导致过热，并引起火灾。 |
| | 不要将本产品的电源接线使用到其他的产品上，否则会导致触电，火灾，和 / 或使设备受损。 |
| 损坏和受伤的危险 | 不要将多台 XG2000R 设置或者叠放在一起。这些都会损坏 XG2000R 或者使操作员受伤。 |
| | 不要将 XG2000R 设置在不稳定的场所（比若倾斜的表面或者有震动的场所）。这些都会损坏 XG2000R 或者使操作员受伤。 |
| | 不要放任何东西在 XG2000R 上面，或者在 XG2000R 上面工作。这些都会损坏 XG2000R 或者使操作员受伤。 |
| | 绝对不可将包装 XG2000R 的塑料袋放在儿童能找到的地方。否则儿童会将塑料袋塞入口中，或者套在头上，从而造成他们严重的受伤。 |
| | 不要将 XG2000R 和其他垃圾丢在一起。如果燃烧，将会引起 XG2000R 的爆炸。 |
| 清洁时的危险 | 不要使用任何可燃性的喷雾式清洁剂。否则可能会损坏 XG2000R 或者引起火灾。 |



注意

这个标记说明了如果没有正确使用 XG2000R，将有可能导致轻微的个人伤害并损坏 XG2000R，以及可能伤害其他的使用者和损害他们的财产。

| 分类 | 警告 |
|--|---|
| 损坏设备的危险 | 不要将多台 XG2000R 设置或者叠放在一起。这些都会损坏 XG2000R。 |
| | 不要将 XG2000R 设置在不稳定的场所（比若倾斜的表面或者有震动的场所）。这些都会损坏 XG2000R。 |
| | 不要放任何东西在 XG2000R 上面，或者在 XG2000R 上面工作。这些都会损坏 XG2000R。 |
| | 应将 XG2000R 设置在建筑物中。在室外使用 XG2000R，将使设备受损。 |
| | 不要将 XG2000R 设置在极高温，极低温，或者温度急剧变化的环境中。设置 XG2000R 在上述环境中将使设备受损。 |
| | 不要将 XG2000R 设置在海水中。设置 XG2000R 在上述环境中将使设备受损。 |
| | 不要将 XG2000R 设置在震动的场所。在上述环境中使用 XG2000R，将使设备受损。 |
| 损坏设备的危险 | 不要将 XG2000R 设置在可能接触到化学药品的场所。在上述环境中使用 XG2000R，将使设备受损。 |
| | 不要将 XG2000R 设置在靠近可能产生强磁性物体的场所，比方说微波炉。在上述环境中使用 XG2000R，将使设备受损。 |
| | 不要将任何物体（液体和 / 或者金属片）放入 XG2000R 中。在上述环境中使用 XG2000R，将使设备受损。 |
| | 如果需要移动 XG2000R，务必先将电源插头拔下。如果不这样做，将使设备受损。 |
| | 在电源打开以后，不要移动或震动 XG2000R。 |
| 电磁干扰的危险 | 不要在收音机或电视机旁使用 XG2000R，否则 XG2000R 将受到收音机或电视机的干扰。 |
| 触电的危险 | 在进行维修时，因此设备是双电源，一定要先拔下两个电源插头，否则危险。 |
| 专用框架设置时的危险 | 只有在框架内的温度低于 40° C 时，才能使用 XG2000R。否则将使设备受损。 |
| | 专用框架一定要有足够的通风，以确保热气会被排出去。 |
| | 确认专用框架的电源没有被过量使用。 |
| | 确认专用框架被正确的固定在墙上或者地上。 |
| | 不要将 XG2000R 安装在不稳定的专用框架内。 |
| | 确认所有安装在专用框架内的设备都接有正确的地线。 |
| | 将 XG2000R 安装在离电源近的场所，如此可以确保电源插头能被方便拔下。拔下电源插头就能关掉 XG2000R。 |
| 在将 XG2000R 拆离专用框架时，要紧抱 XG2000R。否则 XG2000R 可能掉下而导致人体受伤。 | |
| 清洁时的危险 | 在清洁 XG2000R 时，要使用柔软的布，然后轻轻的擦拭。 |
| 光纤接头的危险 | 光纤接头和电源接线必须是干净的和正确连接的。否则通信将无法正常进行。 |

不要自行维修

绝对不要尝试拆开或改造 XG2000R 本身，这是非常危险的，因为 XG2000R 有高电压和高温的零部件。

如果需要进行维修的话，一定要联络销售公司的服务部门。

警告标志

在 XG2000R 的上面会有以下的警告标志。请不要拿掉。

| |
|---|
| <p>▲ 注意 感電 保守する前に、すべての電源コードを抜いてください。 (ただし、活性保守時はこの限りではない。)</p> |
| <p>▲ 注意 触电 在维护装置之前,请将所有的电源插头拔掉。 (但是在动态维护时不用拔掉)</p> |
| <p>▲ CAUTION DISCONNECT ALL POWER SUPPLY CORDS BEFORE SERVICE TO AVOID ELECTRIC SHOCK. (EXCEPT FOR ACTIVE MAINTENANCE)</p> |
| <p>▲ PRECAUCION Para evitar descargas eléctricas desconecte todos los cordones de las fuentes de alimentación antes de dar servicio.(excepto para mantenimiento activo)</p> |
| <p>▲ ACHTUNG ZIEHEN SIE ALLE GERATENETZSTECKER ODER SCHALTEN SIE DIE STROMVERSORGUNGEN MIT DEM NETZTRENNNSCHALTER AB, BEVOR SIE WARTUNGSARBEITEN VORNEHMEN, UM SICH VOR ELEKTRISCHEM SCHOCK ZU SCHÜTZEN. (AUSSER BEI AKTIVER WARTUNG) <input type="checkbox"/></p> |

安全提示

- 如果在 25° C 左右的环境中使用 XG2000R 的话，XG2000R 的寿命可以达到 5 年。
- 使用本设备的使用指南，XG2000R，韧体，和管理软件是用户的责任。
- 富士通和富士通的合作公司对任何由使用 XG2000R 所引起的数据错误和损失不承担任何责任。在使用 XG2000R 之前，请了解 XG2000R 不保证任何超过 XG2000R 本身价值的故障。
- 富士通和富士通的合作公司不允许将 XG2000R 的韧体或韧体的改进版使用在 XG2000R 以外的产品上。任何试图对 XG2000R 的改造和分解都是不被允许的。
- 在连接光纤接头之前，务必检查有没有垃圾，杂物，或者指纹在接头表面。

密码

在运送 XG2000R 之前都设有一个密码。为了保密起见，在使用 XG2000R 之前请一定要改变该密码。

安全性

CAN/CSA C22.2 No. 60950-01, UL60950 和 EN60950-1

静电

在某些情况下，双绞线可能会带有静电。

连接带有静电的双绞线可能会导致设备或网络接口的故障或损伤。

在连接双绞线之前，应使用除静电的工具将双绞线连接到地面。

注意，一条被除去静电的双绞线在被长期放置在未连接的情况下还是会带静电的。

高度的安全性

[在需要高度安全性的使用事例]

XG2000R 是为一般情况下的办公室使用，个人使用，家庭使用，和普通的工业使用而设计，开发，和制造的。而不是为在任何有重大危险的情况下使用所设计，开发，和制造的。除非能够保证高度的安全，不然会导致死亡，人体受伤和财产损失（以下“需要高度安全的使用”），这些状况包括任何核子设施中的核反应控制，医疗上的生命维持系统，飞行管制系统，和导弹控制系统。

如果在任何需要高度安全的环境中使用 XG2000R 而不能满足所需的安全高度，富士通和相关公司将无法承担任何由将 XG2000R 使用在高度安全系统中所造成的损害和任何对损害所造成的赔偿要求。

激光的安全

XG2000R 可以安装 1 级激光元件（XFP 元件），这种激光元件能够发出看不见的光。不要从网络接口的空隙处看 XG2000R 的里面。下面的警告全部都适用于 XG2000R 的激光：

- XG2000R 可以安装 XFP 元件，这是激光装置。在美国，这些 XFP 元件属于 1 级激光产品。这种激光产品符合美国健康和国民服务部（DHHS）的 21 号法令 CFR-J 章的规定，保证书贴在每个 XFP 元件上。在美国以外，这些 XFP 元件符合 IEC60825-1（2007）和 EN60825-01（2007）的要求。
- 尽管没有连接网络接线，看不见的激光仍然存在。为了避免受到激光的伤害，绝对不要盯着接口的缝隙。
- 在 XG2000R 中使用的 XFP 元件必须使用由我们指定的产品。（请联系你的供应商询问我们指定的 XFP 元件产品）

电源接线的要求

请使用本产品所附的电源接线。

不要将本产品所附的电源接线用于其它的产品。

在其他国家使用的电源接线必须符合所在国家的要求。

本产品所附的电源接线只能在美国和加拿大使用。

如果在其他国家使用本产品，请联系你的供应商。

不要将本产品所附的电源接线用于其它的产品。否则将导致触电，火灾或使设备受损。

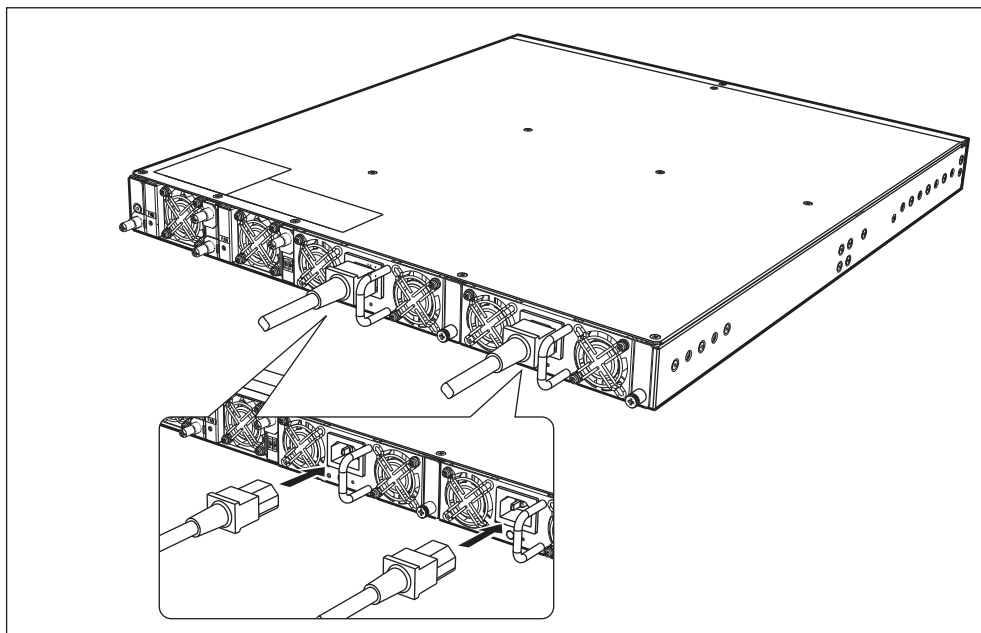
连接电源接线

在连接各个零部件后，再连接电源接线。

- 不要用湿的手接触电源插头，否则会导致触电。
- 不要损坏或改装电源插头，否则会导致触电或使设备受损。将重物放在电源插上，过度的弯曲或扭转电源插头，或者过度的加热电源插头都会损坏电源插头，并可能导致触电或火灾。
- 不要将 XG2000R 和损坏的电源接线，损坏的电源插头或松动的电源插口一起使用。在上述情况下继续使用 XG2000R 将导致火灾。
- 如果电源插头或电源插口不干净，请用干布擦拭干净。在上述情况下继续使用 XG2000R 将导致触电或火灾。

给 XG2000R 连接电源接线

将电源插头插在 XG2000R 后面的电源插口上。



XG2000R 安全使用手冊


本手冊包含有如何安全使用 XG2000R 的重要信息。在使用 XG2000R 之前務必閱讀並理解本手冊的內容。


在閱讀之後，請將本手冊保存在安全的地方以便日後參閱。

PFU 爲了確保使用者的安全和防止設備的損壞已盡了各種努力。在使用 XG2000R 之時，請務必遵守本手冊的指示。

警告標記


爲了防止傷害使用者和 / 或者損壞設備，在本手冊裏含有各種警告。警告分爲兩個層次，各個警告都會有一個標記和說明文。

 **警告** 這個標記說明了如果沒有正確的使用 XG2000R，將有可能導致嚴重的傷害。

 **注意** 這個標記說明了如果沒有正確的使用 XG2000R，將有可能導致輕微的個人傷害並損壞 XG2000R，以及可能傷害其他的使用者和損害他們的財產。

安全指示

爲了你的安全和其他的事項，請務必遵守本手冊的指示。

 **警告** 這個標記說明了如果沒有正確的使用 XG2000R，將有可能導致嚴重的傷害。

| 分類 | 警告 |
|----------|--|
| 觸電和火災的危險 | 絕對不要嘗試拆開，分解，改造，或者再利用 XG2000R。不要放任何東西在 XG2000R 上面，否則會引起觸電，火災和 / 或者導致設備受損。 |
| | 不要將 XG2000R 設置在直射的陽光下，或者在接近任何的加熱（取暖）設備的地方，或者在高濕度和充滿灰塵的地方。否則會引起觸電，火災和 / 或者導致設備受損。 |
| | 對於裝有通風口的 XG2000R，不要封住通風口。否則會導致 XG2000R 內部零件的高溫，從而引起火災。 |
| | 不要用布包住正在使用中的 XG2000R。否則會將熱氣封閉在 XG2000R 的內部，從而引起火災。 |
| | 避免將液體（比如咖啡）或者金屬片（比如紙夾）放入 XG2000R 的裏面，否則會引起觸電和火災。爲了避免任何物體掉入 XG2000R，絕對不要放置任何物體在 XG2000R 的上面。 |
| | 不要將手指伸入網絡接口內，否則會導致觸電。 |
| | 不要使用與 XG2000R 指定的不同電壓，否則會導致觸電和火災。 |
| | 如果有感覺到從 XG2000R 發出的不明熱氣，煙，和 / 或者氣味，應立即切斷電源。爲了方便起見，請將 XG2000R 設置在電源的附近，並保持電源接線在容易夠得到的地方。 在切斷電源後，立即聯絡 XG2000R 銷售公司的服務部門。如果繼續使用 XG2000R 將導致觸電和火災。在上述狀況中，XG2000R 無法保證數據的正常轉送。 |
| | 如果電源插頭或者電源插口骯臟，請用乾布擦乾淨。 |

| 分類 | 警告 |
|----------|---|
| 觸電和火災的危險 | 不要用濕的手去接觸電源插頭，否則會導致觸電。 |
| | 應將電源插頭完全插入電源插口內。如果電源插頭沒有完全插入電源插口內，將導致觸電，冒煙，和 / 或者引起火災。 |
| | 如果要拔下電源插頭，請直接握住電源插頭本身拔出。如果直接拉電源接線，將會導致電源金屬線的暴露或者拉斷電源接線，從而引起觸電和火災。 |
| | 如果長時間不使用 XG2000R，從安全起見應拔掉電源。否則將導致火災或使設備受損。 |
| | 不要損壞或者改造電源接線，否則會導致觸電和火災。不要放任和物體，或者卷任何東西在電源接線上，不要拉扯，或者踢電源接線，這些都會導致觸電和火災。 |
| | 絕對不要連接過量的設備在同一個電源上。否則會導致電源插口過熱，並引起火災。 |
| | 如果要拔電源插頭，請直接握住電源插頭本身拔出。如果不適當的拔下電源插頭，將會導致觸電和火災。 |
| | 不要讓 XG2000R 使用受損的電源接線，受損的電源插頭或者松動的電源插口。連續在上述情況下使用 XG2000R 可導致觸電和火災。 |
| | 不要將電源接線捆在一起。否則會導致過熱，並引起火災。 |
| | 不要將本產品的電源接線使用到其他的產品上，否則會導致觸電，火災，和 / 或使設備受損。 |
| 損壞和受傷的危險 | 不要將多臺 XG2000R 設置或者疊放在一起。這些都會損壞 XG2000R 或者使操作員受傷。 |
| | 不要將 XG2000R 設置在不穩定的場所（比若傾斜的表面或者有震動的場所）。這些都會損壞 XG2000R 或者使操作員受傷。 |
| | 不要放任任何東西在 XG2000R 上面，或者在 XG2000R 上面工作。這些都會損壞 XG2000R 或者使操作員受傷。 |
| | 絕對不可將包裝 XG2000R 的塑料袋放在兒童能找到的地方。否則兒童會將塑料袋塞入口中，或者套在頭上，從而造成他們嚴重的受傷。 |
| | 不要將 XG2000R 和其他垃圾丟在一起。如果燃燒，將會引起 XG2000R 的爆炸。 |
| 清潔時的危險 | 不要使用任何可燃性的噴霧式清潔劑。否則可能會損壞 XG2000R 或者引起火災。 |

注意

這個標記說明了如果沒有正確使用 XG2000R，將有可能導致輕微的個人傷害並損壞 XG2000R，以及可能傷害其他的使用者和損害他們的財產。

| 分類 | 警告 |
|---------|--|
| 損壞設備的危險 | 不要將多臺 XG2000R 設置或者疊放在一起。這些都會損壞 XG2000R。 |
| | 不要將 XG2000R 設置在不穩定的場所（比若傾斜的表面或者有震動的場所）。這些都會損壞 XG2000R。 |
| | 不要放任任何東西在 XG2000R 上面，或者在 XG2000R 上面工作。這些都會損壞 XG2000R。 |
| | 應將 XG2000R 設置在建築物中。在室外使用 XG2000R，將使設備受損。 |

| 分類 | 警告 |
|--|---|
| 損壞設備的危險 | 不要將 XG2000R 設置在極高溫，極低溫，或者溫度急劇變化的環境中。設置 XG2000R 在上述環境中將使設備受損。 |
| | 不要將 XG2000R 設置在海水中。設置 XG2000R 在上述環境中將使設備受損。 |
| | 不要將 XG2000R 設置在震動的場所。在上述環境中使用 XG2000R，將使設備受損。 |
| | 不要將 XG2000R 設置在可能接觸到化學藥品的場所。在上述環境中使用 XG2000R，將使設備受損。 |
| | 不要將 XG2000R 設置在靠近可能產生強磁性物體的場所，比方說微波爐。在上述環境中使用 XG2000R，將使設備受損。 |
| | 不要將任何物體（液體和 / 或者金屬片）放入 XG2000R 中。在上述環境中使用 XG2000R，將使設備受損。 |
| | 如果需要移動 XG2000R，務必先將電源插頭拔下。如果不這樣做，將使設備受損。 |
| | 在電源打開以後，不要移動或震動 XG2000R。 |
| 電磁乾擾的危險 | 不要在收音機或電視機旁使用 XG2000R，否則 XG2000R 將受到收音機或電視機的乾擾。 |
| 觸電的危險 | 在進行維修時，因此設備是雙電源，一定要先拔下兩個電源插頭，否則危險。 |
| 專用框架設置時的危險 | 只有在框架內的溫度低於 40° C 時，才能使用 XG2000R。否則將使設備受損。 |
| | 專用框架一定要有足夠的通風，以確保熱氣會被排出去。 |
| | 確認專用框架的電源沒有被過量使用。 |
| | 確認專用框架被正確的固定在牆上或者地上。 |
| | 不要將 XG2000R 安裝在不穩定的專用框架內。 |
| | 確認所有安裝在專用框架內的設備都接有正確的地線。 |
| | 將 XG2000R 安裝在離電源近的場所，如此可以確保電源插頭能被方便拔下。拔下電源插頭就能關掉 XG2000R。 |
| 在將 XG2000R 拆離專用框架時，要緊抱 XG2000R。否則 XG2000R 可能掉下而導致人體受傷。 | |
| 清潔時的危險 | 在清潔 XG2000R 時，要使用柔軟的布，然後輕輕的擦拭。 |
| 光纖接頭的危險 | 光纖接頭和電源接線必須是乾淨的和正確連接的。否則通信將無法正常進行。 |

不要自行維修

絕對不要嘗試拆開或改造 XG2000R 本身，這是非常危險的，因為 XG2000R 有高電壓和高溫的零部件。

如果需要進行維修的話，一定要聯絡銷售公司的服務部門。

警告標誌

在 XG2000R 的上面會有以下的警告標誌。請不要拿掉。

| |
|---|
| <p>▲ 注意 感電 保守する前に、すべての電源コードを抜いてください。 (ただし、活性保守時はこの限りではない。)</p> |
| <p>▲ 注意 触电 在维护装置之前,请将所有的电源插头拔掉。 (但是在动态维护时不用拔掉)</p> |
| <p>▲ CAUTION DISCONNECT ALL POWER SUPPLY CORDS BEFORE SERVICE TO AVOID ELECTRIC SHOCK. (EXCEPT FOR ACTIVE MAINTENANCE)</p> |
| <p>▲ PRECAUCION Para evitar descargas eléctricas desconecte todos los cordones de las fuentes de alimentación antes de dar servicio.(excepto para mantenimiento activo)</p> |
| <p>▲ ACHTUNG ZIEHEN SIE ALLE GERATENETZSTECKER ODER SCHALTEN SIE DIE STROMVERSORGUNGEN MIT DEM NETZTRENNNSCHALTER AB, BEVOR SIE WARTUNGSARBEITEN VORNEHMEN, UM SICH VOR ELEKTRISCHEM SCHOCK ZU SCHÜTZEN. (AUSSER BEI AKTIVER WARTUNG) <input type="checkbox"/></p> |

安全提示

- 如果在 25° C 左右的環境中使用 XG2000R 的話，XG2000R 的壽命可以達到 5 年。
- 使用本設備的使用指南，XG2000R，韌體，和管理軟件是用戶的責任。
- 富士通和富士通的合作公司對任何由使用 XG2000R 所引起的數據錯誤和損失不承擔任何責任。在使用 XG2000R 之前，請了解 XG2000R 不保證任何超過 XG2000R 本身價值的故障。
- 富士通和富士通的合作公司不允許將 XG2000R 的韌體或韌體的改進版使用在 XG2000R 以外的產品上。任何試圖對 XG2000R 的改造和分解都是不被允許的。
- 在連接光纖接頭之前，務必檢查有沒有垃圾，雜物，或者指紋在接頭表面。

密碼

在運送XG2000R之前都設有一個密碼。為了保密起見，在使用XG2000R之前請一定要改變該密碼。

安全性

CAN/CSA C22.2 No.60950-01,UL60950 和 EN60950-1

靜電

在某些情況下，雙絞線可能會帶有靜電。
連接帶有靜電的雙絞線可能會導致設備或網絡接口的故障或損傷。
在連接雙絞線之前，應使用除靜電的工具將雙絞線連接到地面。
注意，一條被除去靜電的雙絞線在被長期放置在未連接的狀況下還是會帶靜電的。

高度的安全性

[在需要高度安全性的使用事例]
XG2000R 是為一般情況下的辦公室使用，個人使用，家庭使用，和普通的工業使用而設計，開發，和制造的。而不是為在任何有重大危險的狀況下使用所設計，開發，和制造的。除非能夠保證高度的安全，不然會導致死亡，人體受傷和財產損失（以下 " 需要高度安全的使用 " ），這些狀況包括任何核子設施中的核反應控制，醫療上的生命維持系統，飛行管制系統，和導彈控制系統。
如果在任何需要高度安全的環境中使用 XG2000R 而不能滿足所需的安全高度，富士通和相關公司將無法承擔任何由將 XG2000R 使用在高度安全系統中所造成的損害和任何對損害所造成的賠償要求。

鐳射的安全

XG2000R 可以安裝 1 級鐳射元件（XFP 元件），這種鐳射元件能夠發出看不見的光。不要從網絡接口的空隙處看 XG2000R 的裏面。下面的警告全部都適用於 XG2000R 的鐳射：

- XG2000R 可以安裝 XFP 元件，這是鐳射裝置。在美國，這些 XFP 元件屬於 1 級鐳射產品。這種鐳射產品符合美國健康和國民服務部（DHHS）的 21 號法令 CFR-J 章的規定，保證書貼在每個 XFP 元件上。在美國以外，這些 XFP 元件符合 IEC60825-1（2007）和 EN60825-1（2007）的要求。
- 儘管沒有連接網絡接線，看不見的鐳射仍然存在。為了避免受到鐳射的傷害，絕對不要盯著接口的縫隙。
- 在 XG2000R 中使用的 XFP 元件必須使用由我們指定的產品。（請聯系你的供應商詢問我們指定的 XFP 元件產品）

電源接線的要求

請使用本產品所附的電源接線。
不要將本產品所附的電源接線用於其它的產品。
在其他國家使用的電源接線必須符合所在國家的要求。
本產品所附的電源接線只能在美國和加拿大使用。
如果在其他國家使用本產品，請聯系你的供應商。

不要將本產品所附的電源接線用於其它的產品。否則將導致觸電，火災或使設備受損。

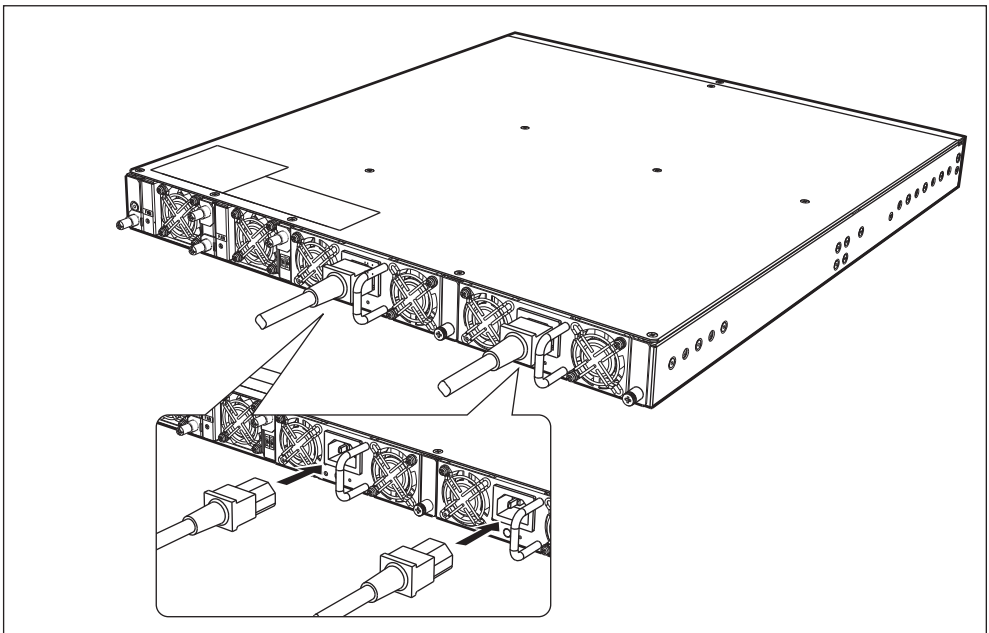
連接電源接線

在連接各個零部件後，再連接電源接線。

- 不要用濕的手接觸電源插頭，否則會導致觸電。
- 不要損壞或改裝電源插頭，否則會導致觸電或使設備受損。將重物放在電源插頭上，過度的彎曲或扭轉電源插頭，或者過度的加熱電源插頭都會損壞電源插頭，並可能導致觸電或火災。
- 不要將 XG2000R 和損壞的電源接線，損壞的電源插頭或松動的電源插口一起使用。在上述情況下繼續使用 XG2000R 將導致火災。
- 如果電源插頭或電源插口不乾淨，請用乾布擦拭乾淨。在上述情況下繼續使用 XG2000R 將導致觸電或火災。

給 XG2000R 連接電源接線

將電源插頭插在 XG2000R 後面的電源插口上。



安全にお使いいただくために

この取扱説明書には、本装置を安全に正しくお使いいただくために守っていただきたい重要な情報が記載されています。

本装置をお使いになる前に、本書をよくお読みになり、理解された上でお使いください。

また、本書は本装置の使用中にいつでも参照できるように、大切に保管してください。

弊社は、使用者および周囲の方々の身体や財産に被害を及ぼすことなく安全に使っていただくために、細心の注意を払っています。本装置を使用する際は、本書の説明に従ってください。

警告表示について

取扱説明書では、使用者および周囲の方々や財産に損害を与えないための警告表示をしています。警告表示は、警告レベルの記号と警告文の組み合わせになっています。

⚠警告 正しく使用しない場合、死亡または重傷のおそれがあることを示します。

⚠注意 正しく使用しない場合、軽傷または中程度の傷害を負うおそれがあることを示します。
また、当該製品自体または他の使用者の財産に対して損害を与えるおそれがあることを示します。

安全にお使いいただくために

本装置を安全にお使いいただくために、必ずお守りください。

⚠警告 正しく使用しない場合、死亡または重傷のおそれがあることを示します。

| 作業区分 | 警告事項 |
|-----------|--|
| 感電・火災について | 本装置の分解・解体・改造・再生を行わないでください。 また、本装置の上には絶対に物をのせないでください。感電・火災・故障の原因となります。 |
| | 直射日光のあたる場所や暖房機の近く、湿気、ほこりの多い場所には置かないでください。 感電や火災のおそれがあります。 |
| | 通気孔がある機種の場合、装置内部が高温になるため通気孔をふさがないでください。 火災のおそれがあります。 |
| | 使用中の本装置を布でおおったり、包んだりしないでください。熱がこもり、火災の原因となることがあります。 |
| | コーヒーなどの液体やクリップなどの金属片が本装置内部に入らないように気をつけてください。また、本装置内部に異物が入るのを防ぐため、本装置の上には物を置かないでください。感電や火災のおそれがあります。 |
| | モジュラージャックには指などを入れないでください。感電の原因となります。 |
| | 指定された電源電圧以外では使用しないでください。 感電や火災のおそれがあります。 |
| | 万一、本装置から発熱・発煙・臭異が発生したときは、電源プラグをコンセントから抜いてください。電源を切断したら「購入元保守窓口」に連絡してください。そのまま使用すると、感電や火災のおそれがあります。 なお、この場合、通信中のデータは保証されません。 |
| | 電源プラグの金属部分およびその周辺にほこりが付着している場合は、乾いた布でよくふき取ってください。そのまま使用すると、火災の原因となります。 |
| | 濡れた手で電源プラグを抜き差ししないでください。感電の原因となります。 |
| | 電源プラグは、電源コンセントに確実に奥まで差し込んでください。 差し込みが不十分な場合、感電・発煙・火災の原因となります。 |
| | 電源プラグを抜くときは電源ケーブルを引っ張らず、必ず電源プラグを持って抜いてください。電源ケーブルを引っ張ると、電源ケーブルの芯線が露出したり断線したりして、火災、感電の原因となります。 |

| 作業区分 | 警告事項 |
|-----------|--|
| 感電・火災について | 長時間使用しないときは、安全のため必ず電源プラグをコンセントから抜いてください。火災・故障の原因となります。 |
| | 電源ケーブルを傷つけたり、加工したりしないでください。電源ケーブルの上に物をのせたり、絡みつけたり、足を引っかけたりしないようにしてください。感電や火災のおそれがあります。 |
| 感電・火災について | 電源ケーブルは、タコ足配線にしないでください。コンセントが過熱し、火災の原因となることがあります。 |
| | 電源ケーブルは、電源プラグ部分を持ってコンセントから抜いてください。電源プラグが傷んで感電や火災のおそれがあります。 |
| | 電源ケーブルや電源プラグが傷んだり、コンセントの差し込み口がゆるいときは、使用しないでください。そのまま使用すると、感電・火災の原因となります。 |
| | 電源ケーブルを束ねて使用しないでください。発熱して火災の原因となることがあります。 |
| | 本製品に添付の電源ケーブルを他の製品に使用しないでください。感電・火災・故障の原因となります。 |
| 破損・負傷について | 本装置を縦置きおよび多段積みで使用しないでください。本装置が破損したり、作業者が負傷したりするおそれがあります。 |
| | 振動の激しい場所や傾いた場所など、不安定な場所に置かないでください。落下したりして、けがの原因となることがあります。 |
| | 本装置の上に物を置いたり、本装置の上で作業したりしないでください。本装置が破損したり、作業者が負傷したりするおそれがあります。 |
| | 梱包に使用しているビニール袋は、お子様が口に入れたり、かぶって遊んだりしないよう、ご注意ください。窒息の原因となります。 |
| | 本装置を廃棄するときは、他のゴミと一緒に捨てないでください。火中に投げると破裂するおそれがあります。 |
| 清掃について | 清掃の際、清掃用スプレー（可燃性物質を含むもの）を使用しないでください。火災の原因になります。 |

**注意**

正しく使用しない場合、軽傷または中程度の傷害を負うおそれがあることを示します。また、当該製品自体または他の使用者の財産に対して損害を与えるおそれがあることを示します。

| 作業区分 | 注 意 事 項 |
|---|--|
| 故障について | 本装置を縦置きおよび多段積みで使用しないでください。故障の原因となります。 |
| | 振動の激しい場所や傾いた場所など、不安定な場所に置かないでください。故障の原因となります。 |
| | 本装置の上に物を置いたり、本装置の上で作業したりしないでください。故障の原因となります。 |
| | 本装置は、屋内に設置してください。屋外で使用すると故障の原因となります。 |
| | 極端な高温、または低温状態や温度変化の激しい場所で使用しないでください。故障の原因となります。 |
| | 塩害地域では使用しないでください。故障の原因となります。 |
| | 衝撃や振動の加わる場所で使用しないでください。故障の原因となります。 |
| | 薬品の噴困気中や、薬品にふれる場所で使用しないでください。故障の原因となります。 |
| | 電子レンジなど、強い磁界を発生する装置のそばで使用しないでください。故障の原因となります。 |
| | 内部に液体や金属類などの異物が入った状態で使用しないでください。故障の原因となります。 |
| | 本装置を移動するときは、必ず電源ケーブルを抜いてください。故障の原因となります。 |
| 電源を入れたまま、持ち運んだり、衝撃や振動を与えたりしないでください。 | |
| 電波障害について | ラジオやテレビジョン受信機のそばで使用しないでください。 ラジオやテレビジョン受信機に雑音が入る場合があります。 |
| 感電について | 感電するおそれがありますので担当技術員以外はカバーを開けないでください。 また、保守時には必ず電源ケーブルを抜いてください。 |
| ラックマウントについて | ラック内温度は 40℃以下で使用してください。故障の原因となります。 |
| | ラック内の排気、換気に留意してください。 |
| | ラック内部の機器構成全体が電源回路を過負荷状態にしないかを確認してください。 |
| | ラック全体の安定性を保つため、適切な方法によって壁または床にラックを固定してください。 |
| | 本装置を取り付けることで物理的に不安定になるラックには、本装置を搭載しないでください。 |
| | ラックに取り付けたユニットが正しくアースされているかを確認してください。 |
| | 主電源コンセントの近くに設置し、遮断装置（電源プラグ）へ容易に手が届くようにしてください。電源は電源プラグを抜くことで遮断されます。 |
| 装置を引き出す際は、装置から手を離さないでください。装置が落下してけがをするおそれがあります。 | |
| 清掃について | 清掃する場合は、やわらかい布などを利用し、やさしくふいてください。 |
| ファイバーコネクタについて | 光ファイバーコネクタ・ケーブルは適切に接続・清掃してください。通信状態が不正確になったり不安定になる原因となります。 |

メンテナンスに関するご注意

本装置をご自身で分解したり改造したりしないでください。本装置の内部には、高電圧の部分および高温の部分があり危険です。
故障の修理については、購入元保守窓口にお問い合わせください。

警告ラベルについて

本装置の上面には以下の内容の警告ラベルが貼りつけられています。警告ラベルは絶対にはがさないでください。

| |
|--|
| <p style="text-align: center;">⚠ 注意</p> <p>感電 保守する前に、すべての電源コードを抜いてください。 (ただし、活性保守時はこの限りではない。)</p> |
| <p style="text-align: center;">⚠ 注意</p> <p>触电 在维护装置之前,请将所有的电源插头拔掉。 (但是在动态维护时不用拔掉)</p> |
| <p style="text-align: center;">⚠ CAUTION</p> <p>DISCONNECT ALL POWER SUPPLY CORDS BEFORE SERVICE TO AVOID ELECTRIC SHOCK. (EXCEPT FOR ACTIVE MAINTENANCE)</p> |
| <p style="text-align: center;">⚠ PRECAUCION</p> <p>Para evitar descargas eléctricas desconecte todos los cordones de las fuentes de alimentación antes de dar servicio.(excepto para mantenimiento activo)</p> |
| <p style="text-align: center;">⚠ ACHTUNG</p> <p>ZIEHEN SIE ALLE GERATENETZSTECKER ODER SCHALTEN SIE DIE STROMVERSORGUNGEN MIT DEM NETZTRENNNSCHALTER AB, BEVOR SIE WARTUNGSARBEITEN VORNEHMEN, UM SICH VOR ELEKTRISCHEM SCHOCK ZU SCHÜTZEN. (AUSSER BEI AKTIVER WARTUNG) <input type="checkbox"/></p> |

使用上のご注意

- 本製品を安定した状態でご使用になれる期間（耐用年数）は、5年が目安です。これは、使用環境温度を25℃として想定した数値です。
- 本製品として提供される取扱説明書、装置本体、ファームウェアおよび管理ソフトウェアは、お客様の責任でご使用ください。
- 本製品の使用によって発生する損失やデータの損失については、富士通株式会社およびその関連会社では一切責任を負いかねます。また、本製品の障害の保証範囲はどのような場合も、本製品の代金としてお支払いいただいた金額を超えることはありません。あらかじめご了承ください。
- 本製品で提供されるファームウェアおよび本製品用として富士通株式会社およびその関連会社より提供される更新用ファームウェアを、本装置に組み込んで使用する以外の方法で使用する、また、改変や分解を行うことは一切許可しておりません。
- 光ファイバーケーブルを接続する場合は、コネクタ部にほこりやゴミ、油脂などが付着していないことを確認してください。

安全について

IEC60950-1 および JIS C 6950 準拠

セキュリティの確保について

本製品出荷時には、管理者 ID およびパスワードが設定されています。セキュリティの確保のために、運用に入る前に基本設定からパスワードを必ず変更してください。

静電気対策について

ツイストペアケーブルは、ご使用の環境などによって、静電気が帯電することがあります。静電気が帯電したツイストペアケーブルをそのまま機器に接続すると、機器または機器の LAN ポートが誤動作したり、壊れたりすることがあります。

機器に接続する直前に静電気除去ツール（注）などをご使用いただき、ツイストペアケーブルに帯電している静電気をアース線などに放電してから接続してください。

また、静電気を放電したあと、接続しないまま長時間放置すると、放電効果が失われますのでご注意ください。

注) 静電気除去ツールについて

弊社では、以下のツールを提供しています。詳しくは購入元にご確認ください。

品名：LAN ケーブル ESD 除去ツール

型名：TS2002-001

ハイセイフティについて

[高度な安全性が要求される用途への使用について]

本製品は、一般事務用、パーソナル用、家庭用、通常の産業等の一般的用途を想定して開発・設計・製造されているものであり、原子力施設における核反応制御、航空機自動飛行制御、航空交通管制、大量輸送システムにおける運行制御、生命維持のための医療用機器、兵器システムにおけるミサイル発射制御など、極めて高度な安全性が要求され、仮に当該安全性が確保されない場合、直接生命・身体に対する重大な危険性を伴う用途（以下「ハイセイフティ用途」という）に使用されるよう開発・設計・製造されたものではありません。

お客様は本製品を必要な安全性を確保する措置を施すことなくハイセイフティ用途に使用しないでください。また、お客様がハイセイフティ用途に本製品を使用したことにより発生する、お客様または第三者からのいかなる請求または損害賠償に対しても富士通株式会社およびその関連会社は一切責任を負いかねます。

レーザーの安全性について

本装置は、クラス 1 レーザーモジュール (XFP モジュール) を搭載可能です。モジュールからは目に見えないレーザー光が放射されているため、10 ギガビットイーサネットのポートの開口部をのぞきこまないでください。本装置には、レーザーに関する以下の警告が適用されます。

クラス 1 レーザー製品

- ケーブルが接続されていない場合、ポートの開口部から目に見えないレーザー光が放射されている可能性があります。レーザー光にあたらないように、開口部をのぞきこまないでください。

本装置には、XFP モジュールにレーザーを内蔵しています。米国では、XFP モジュールは米国厚生書 (DHHS) の 21CFR Subchapter J の規定に準拠するクラス 1 のレーザー製品として認証されています。認証ラベルは、XFP モジュールに貼ってあります。米国外で XFP モジュールは IEC60825-1:2007 および EN60825-1:2007、JIS C6082:2005 中の要項に準拠するクラス 1 レーザー製品として認証を得ています。

※ 本装置に搭載する XFP モジュールは、弊社指定品から選定してください (弊社指定の XFP モジュールについては購入元にお問合せください)。

電源ケーブルについて

本製品に添付の電源ケーブルは、アメリカ合衆国およびカナダ専用品です。添付の電源ケーブルは、他の製品では使用できません。電源ケーブルは本製品を使用する国で承認を受けたものでなければなりません。日本国で本製品を使用する場合は、電気用品安全法 (PSE 法) に対応した電源ケーブルをご使用ください。

警告

本製品に添付の電源ケーブルを他の製品に使用しないでください。感電・火災・故障の原因となります。

電源ケーブルの接続

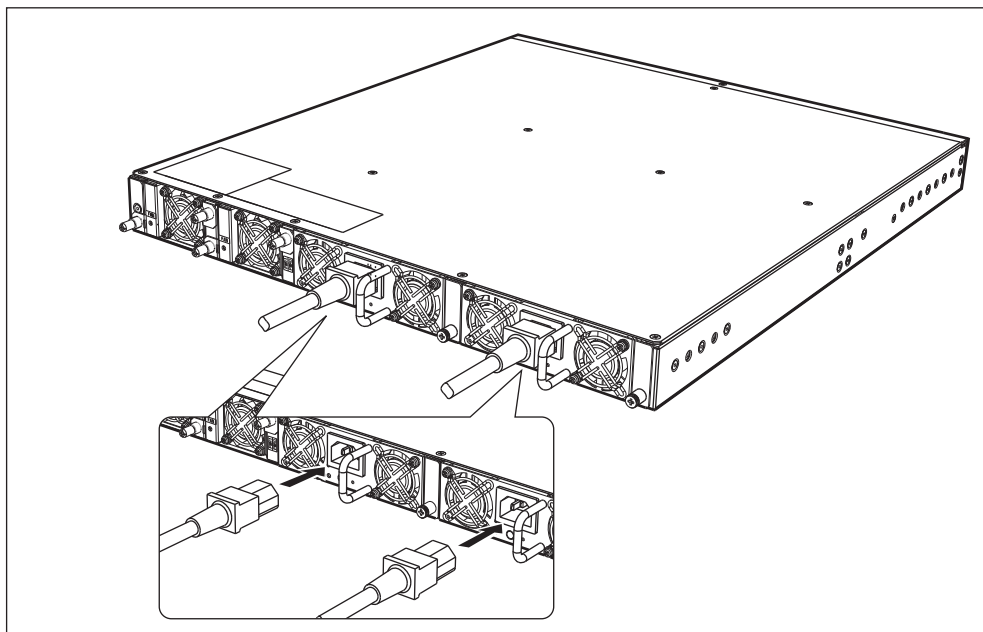
周辺装置の接続を終えたら、本装置の電源ケーブルを接続します。

⚠警告

- 濡れた手で電源プラグを抜き差ししないでください。感電の原因になります。
- 電源ケーブルを傷つけたり、加工したりしないでください。重いものを載せたり、引っ張ったり、無理に曲げたり、ねじったり、加熱したりすると電源ケーブルを傷め、火災・感電の原因となります。
- 電源ケーブルや電源プラグが傷んだり、コンセントの差し込み口がゆるいときは使用しないでください。そのまま使用すると、火災・感電の原因となります。
- 電源プラグの電極、およびコンセントの差し込み口にほこりが付着している場合は、乾いた布でよくふいてください。そのまま使用すると、火災・感電の原因となります。

1. 電源ケーブルを本体に接続します。

電源ケーブル（2本）のプラグを、本装置背面の電源インレットに接続します。



EMC Class A Notices and Warnings

This section includes the EMC Class A warnings for the XG2000R.

Electromagnetic compatibility (USA)

FCC PART 15B Class A

FCC WARNING:

Changes or modifications not expressly approved by the party responsible for compliance could void the user's authority to operate the equipment.

NOTE: This equipment has been tested and found to comply with the limits for a Class A digital device, pursuant to Part 15 of the FCC Rules. These limits are designed to provide reasonable protection against harmful interference when the equipment is operated in a commercial environment. This equipment generates, uses, and can radiate radio frequency energy and, if not installed and not used in accordance with the instruction manual, may cause harmful interference to radio communications. Operation of this equipment in a residential area is likely to cause harmful interference in which case users will be required to correct the interference at their own expense.

Electromagnetic compatibility (CANADA)

Industry Canada Interference-Causing Equipment Standard ICES-003 Class A.

This Class A digital apparatus complies with Canadian ICES-003.

Cet appareil numérique de la classe A est conforme à la norme NMB-003 du Canada.

Electromagnetic compatibility (EU)

EN55022 Class A
EN61000-3-2
EN61000-3-3
EN55024

Warning

This is a class A product. In a domestic environment this product may cause radio interference in which case the user may be required to take adequate measures.

VCCI Class A Warning for JAPAN

電波障害自主規制について

この装置は、クラスA情報技術装置です。この装置を家庭環境で使用すると電波妨害を引き起こすことがあります。この場合には使用者が適切な対策を講ずるよう要求されることがあります。

VCCI - A

高調波電流規制について

高調波電流規格 JIS C 61000-3-2 適合品

Class A Warning for Korea

⚠WARNING

This is a Class A Device and is registered for EMC requirements for industrial use. The seller or buyer should be aware of this. If this type was sold or purchased by mistake, it should be replaced with a residential-use type.

사용자 안내문 - A 급 기기(업무용 방송통신기기)

이 기기는 업무용(A 급)으로 전자파적합등록을 한 기기이오니

판매자 또는 사용자는 이 점을 주의하시기 바라며,

가정외의 지역에서 사용하는 것을 목적으로 합니다 .

Class A Warning for China

敬告使用者：

这是甲类电子产品，在居住的环境中使用时，可能会造成辐射干扰，在这种情况下，使用者会被要求采取某些适当的对策。

Class A Warning for Taiwan

警告使用者：

這是甲類的資訊產品，在居住的環境中使用時，可能會造成射頻干擾，在這種情況下，使用者會被要求採取某些適當的對策。

About This Manual

This section explains who this manual is aimed at, describes the layout of the manual, and gives a description of the symbols used in this manual.

Targeted reader and expected knowledge

This manual is written for an administrator who has responsibility for network system configuration, maintenance, and management.

Understanding the following knowledge is expected.

- Basic knowledge of networks, intranets and the internet.
- Basic knowledge of system management.
- Basic knowledge of system security.

This manual does not give any explanation of network protocol terms.

Organization

This manual is organized as follows.

Chapter 1 Installation

This chapter lists the items that should be in the XG2000R package, describes the names and functions of the various components of the XG2000R.

Chapter 2 Installation and Operation

This chapter explains how to install, connect, and start the XG2000R.

Chapter 3 Troubleshooting

This chapter describes what you should do when your XG2000R has problems.

Appendix

This appendix explains the specifications of the XG2000R, and should be referred to as necessary.

References manuals

Please also refer to the following manuals as required. Consult them as required.

- XG2000R Hardware Guide (this manual)
This manual describes the hardware of the XG2000R.
- XG2000 series User's Guide
This manual describes a variety of operations and procedures, including the installation and maintenance of the XG2000R.

When referring to the "XG2000 series User's Guide", the manual name is usually abbreviated as "User's Guide".

The user's guide is an online manual, contained in the "XG2000 series User's Guide CD-ROM".

Symbols used in this manual

This manual uses the following symbols.



This symbol indicates a point that operator should pay attention to.



This symbol indicates a section which describes related information.



This symbol means "Danger! You are in a situation that could result in bodily injury". Before continuing, make yourself aware of the hazards involved and become familiar with common ways of preventing accidents.



This symbol means "Be careful, or you might do something that could damage your equipment or result in loss of data".

Trademarks and abbreviations used in this manual

Company names and products names referred in this manual are registered trademarks or trademarks of respective companies.

The trademark [™] and © have been omitted from this manual.

Contents

Chapter 1 Installation..... 41

| | | |
|-----|--------------------------|----|
| 1-1 | Parts List | 42 |
| 1-2 | XG2000R Components | 44 |
| 1-3 | Labels | 47 |

Chapter 2 Installation and Operation 51

| | | |
|-------|--|----|
| 2-1 | Installation Overview | 52 |
| 2-2 | Installation Procedure | 53 |
| 2-2-1 | Installation requirements | 53 |
| 2-2-2 | Installing the XG2000R in a rack | 54 |
| 2-2-3 | Unracking the XG2000R | 58 |
| 2-3 | Installation of modules | 59 |
| 2-3-1 | Installing the XFP modules | 59 |
| 2-3-2 | Uninstalling the XFP modules | 60 |
| 2-4 | Cable Connection | 61 |
| 2-4-1 | Connecting cables | 61 |
| 2-4-2 | Connecting the power cords | 61 |
| 2-5 | Basic Operation | 62 |
| 2-5-1 | Turning on the XG2000R | 62 |
| 2-5-2 | Turning off the XG2000R | 63 |

Chapter 3 Troubleshooting 65

| | | |
|-----|-------------------------|----|
| 3-1 | Start-up Problems | 66 |
| 3-2 | Hardware Problems | 67 |

Appendix..... 69

| | | |
|------------|--|----|
| Appendix-A | Specifications | 70 |
| A.1 | Product Specifications | 70 |
| A.2 | Installation Specifications | 70 |
| Appendix-B | China RoHS Declaration for the XG2000R | 71 |
| Appendix-C | EC Declaration for the XG2000R | 72 |

1

2

3

A

Installation

This chapter lists the items that should be in the XG2000R package, describes the names and functions of the various components of the XG2000R.

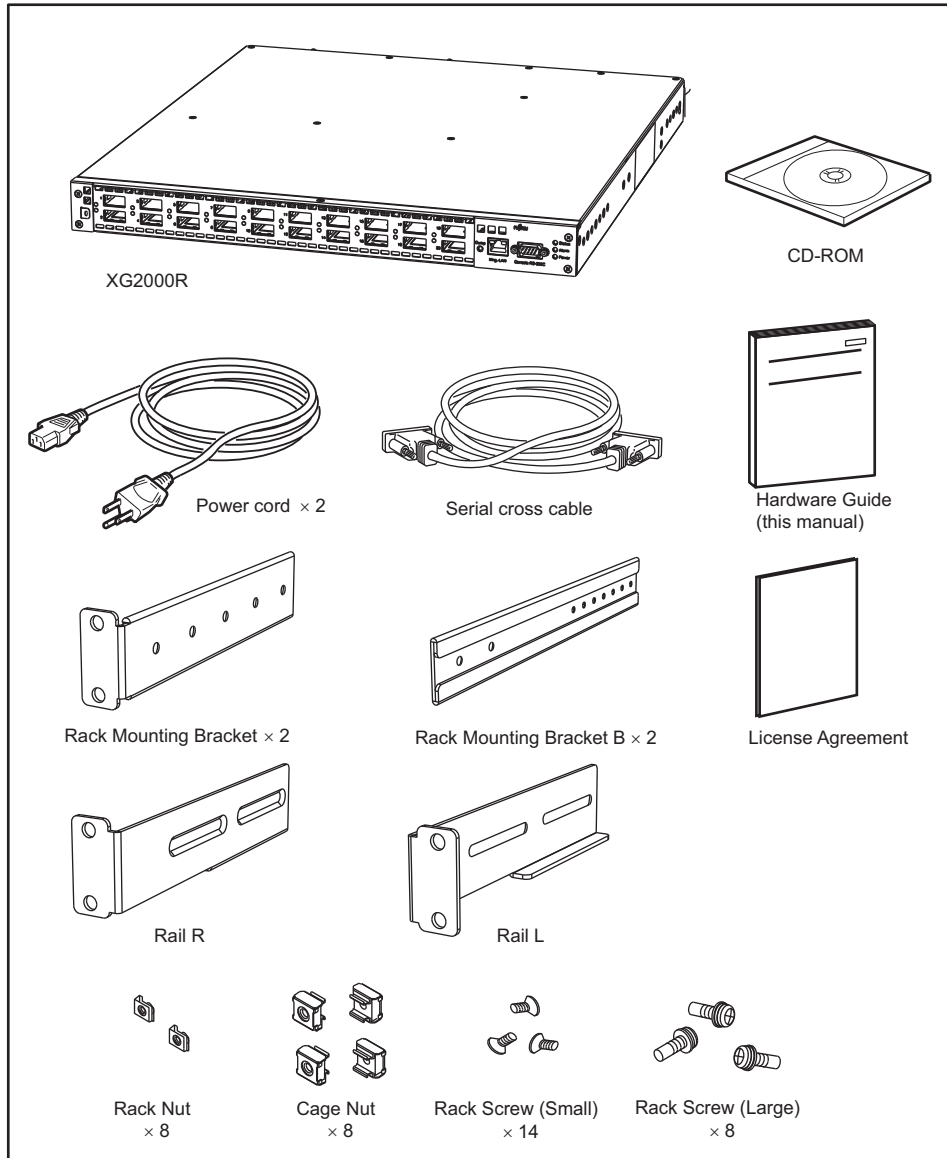


| | |
|------------------------------|----|
| 1-1 Parts List..... | 42 |
| 1-2 XG2000R Components | 44 |
| 1-3 Labels | 47 |

1-1 Parts List

Before proceeding, check that all of the following parts were included in your XG2000R package. Contact the vendor's service department if any parts are missing and/or the manual has any missing or wrongly collated pages.

Keep the hardware guide (this manual) and the CD-ROM in a safe place.



- XG2000R : The XG2000R itself.
- CD-ROM : Contains documents necessary to operate the XG2000R.

- Power Cord : A 3-pin cable to connect the XG2000R to a power supply.

⚠ WARNING

- The power cords provided with the device are for exclusive use for USA and Canada.
 - Power cord must meet the requirements of the country where you use this product.
-

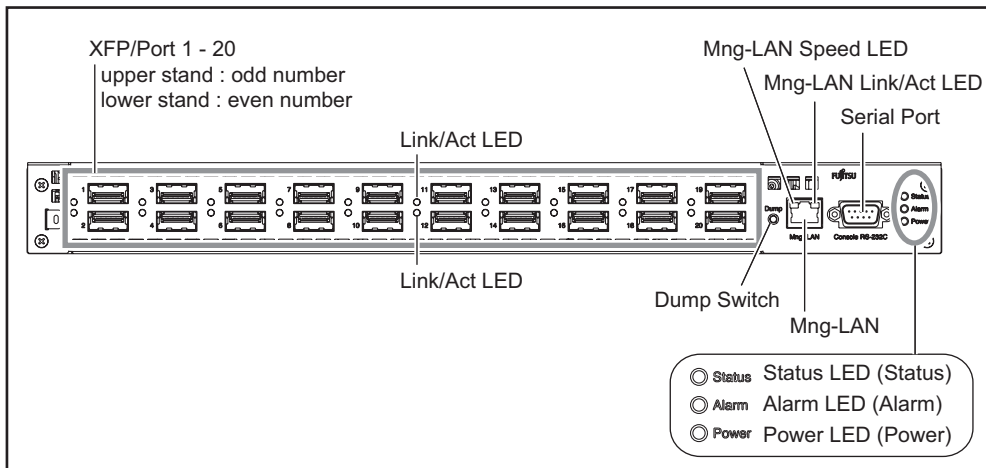
- Serial cross cable : A cable to connect the XG2000R to a PC when the settings need to be adjusted.
- Hardware Guide : A manual describing the XG2000R hardware and related matters (this manual).
- Rack Mounting Bracket : Brackets for mounting the XG2000R in a rack. Attach each rack mounting bracket to the right and left sides of the XG2000R, and fasten to the rack posts with the rack screws (large).
- Rack Mounting Bracket B : A bracket for mounting the XG2000R in a rack. Attach the rack mounting bracket B to the back-right and back-left sides of the XG2000R, and fasten to the rail (attached to the back-right rack post) with the rack screws (small).
- Rail R : A rail that is attached to the back-right rack post and into which the back rack mounting bracket is slid and fastened when mounting the XG2000R in a rack.
- Rail L : A rail that is attached to the back-left rack post and into which the back rack mounting bracket is slid and fastened when mounting the XG2000R in a rack.
- Rack Nut : When the rack post holes are round, use the rack nuts to fasten the XG2000R to the rails and rack posts using the rack screws (large).
- Cage Nut : When the rack post holes are square, use the rack nuts to fasten the XG2000R to the rails and rack posts using the rack screws (large).
- Rack Screw (Small) : Flat-head screws for fastening the rack mounting brackets to the rack mounting bracket B.
- Rack Screw (Large) : Pan-head screws for fastening the XG2000R to the rails of the rack posts.
- License Agreement : The document describing End-User Licence Agreement.

1-2 XG2000R Components

This section explains the names and functions of the various XG2000R components, including the various indicator LEDs.

XG2000R front

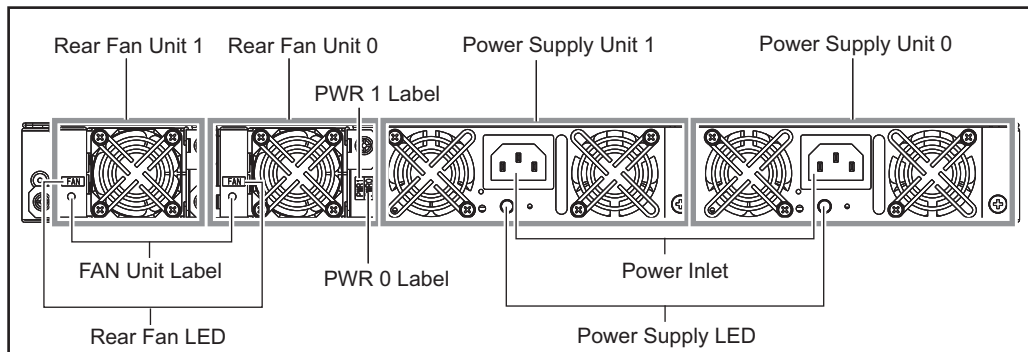
The following explains the names and functions of the components at the front of the XG2000R.



- Ports 1-20 These ports comply with the XFP MSA Standards. The connection method varies depending on which XFP modules are installed.
- Link/Act LEDs (Green) Displays the condition of the respective port. Each LED lights when a link is established on its port. The link is established a few seconds after the received signal is detected. Blinks when the XG2000R sends and receives the traffic.
- Dump Switch Used to collect maintenance information.
- Mng-LAN Used when performing maintenance or adjusting the settings (LAN connection).
 - Mng - LAN Speed LED (Orange) Lights if the link is 100BASE-TX.
 - Mng - LAN Link/Act LED (Green) Lights when the link is established. Blinks during the XG2000R sends and receives the Frame.
- Serial Port Used when performing maintenance or adjusting the settings (Console connection).
- Status LED (Green) Lights when the XG2000R is in an operable state.
- Alarm LED (Orange) Lights when there is a problem with the XG2000R.
- Power LED (Green) Lights when the XG2000R is receiving power.

XG2000R rear

The following explains the names and functions of the components at the rear of the XG2000R.



- **Rear Fan Unit** Intake fan.
 - **Rear Fan LED (Green/Orange)** Green LED lights when the Rear Fan Unit is operational.
Orange LED when there is a problem with the Rear Fan Unit.
- **Power Supply Unit** Supplies power to the XG2000R (includes an intake fan).
 - **Power Supply LED (Green/Orange)**
 - Green LED lights when the XG2000R is on.
 - Orange LED lights when there is a problem with the Power Supply Unit.



- Power supply failure is exclusive to power FAN failure. Please refer to "Display LEDs (P.46)" for details.
- When power FAN fails, Power Supply LED stays green - normal -. Execute "show system status" with CLI and check if there is any abnormality.



Refer to "XG2000 series User's Guide" "6.1 Verifying the Device Operations" for "show system status" command details.



In order to avoid a negative effect on the cooling of the XG2000R, the Rear Fan Unit screws should be kept tight at all times.

Display LEDs

There are three main indicator LEDs on the front of the XG2000R: Power LED, Alarm LED, and Status LED. The following explains the LED display under various conditions.

| XG2000R Condition | | LED | | |
|-------------------|---------------------------|-------|--------|----------|
| | | Power | Alarm | Status |
| Off | | Off | Off | Off |
| Starting up | Power just turned on | On | Off | Off |
| | System starting up | On | Off *1 | Blinking |
| | System start-up completed | On | Off *1 | On |
| Operable | | On | Off *1 | On |
| After shutdown*2 | | Off | On | Off |

*1: If the XG2000R is operating normally.

*2: After shutdown, the Power Supply LED on the back blinks green.

If a problem occurs, the front panel LEDs and the LEDs on the Fans or Power Supplies can be used to identify the problem:

| XG2000R Condition | | LED | | | |
|-------------------|-------------------------|-------|-------|----------|------------------------------|
| | | Power | Alarm | Status | LED on failed part |
| Problem detected | Startup error | On | ---*2 | Blinking | --- |
| | Rear fan error | On | On | ---*3 | Rear Fan LED: Orange lit |
| | Power fan error | On | On | ---*3 | --- |
| | No AC supply *1 | On | On | ---*3 | --- |
| | Power supply error*4 | On | On | ---*3 | Power Supply LED: Orange lit |
| | Voltage error | On | On | ---*3 | --- |
| | Temperature error | On | On | ---*3 | --- |
| | System dump in progress | On | On | ---*3 | --- |

*1: Only detectable and indicated when two power supply units are installed and connected to separate, independent power supplies.

*2: Condition of the Alarm LED will depend on the state of the system.

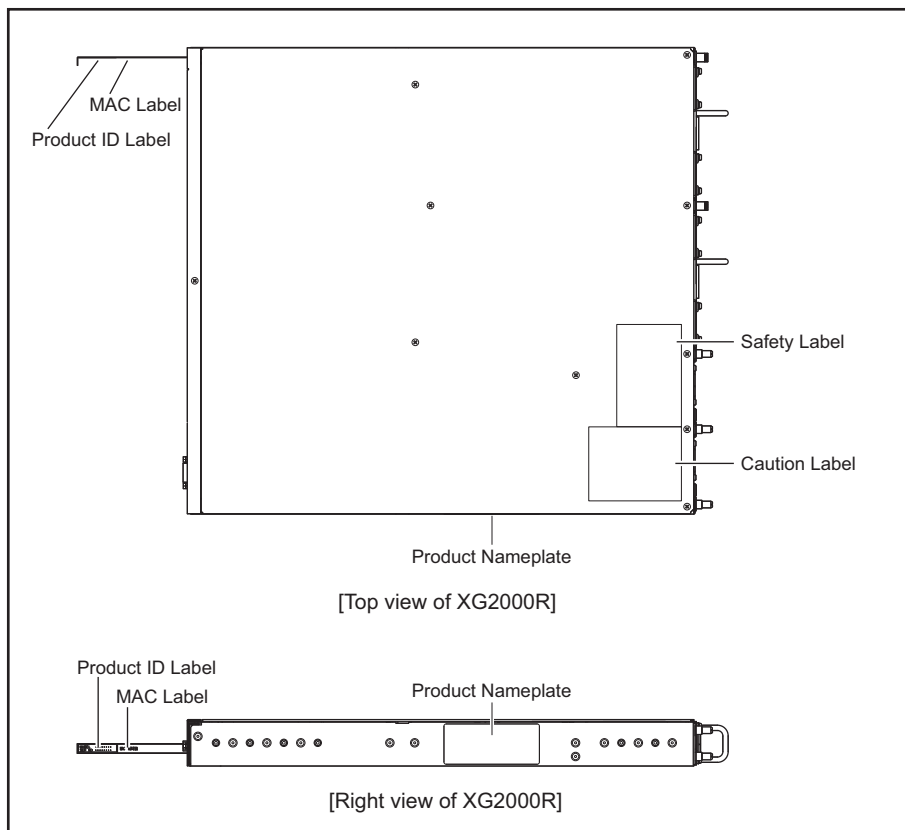
*3: Condition of the Status LED will depend on the state of the system.

*4: Power Supply LED blinking Orange and Alarm LED off shows thermal alarm for power unit.

Note that the XG2000R will shut itself down when the temperature error is detected. Any problems other than those that occur during start up are recorded in the event log. For details of the event log, refer to the "XG2000 series User's Guide".

1-3 Labels

Caution Label, Safety Label, product nameplate, product ID label, and MAC label are to be found in various places on the XG2000R.



1

Caution Label

Obey the following Caution:

| |
|--|
| ⚠ 注意 |
| <p>感電 保守する前に、すべての電源コードを抜いてください。 (ただし、活性保守時はこの限りではない。)</p> |
| ⚠ 注意 |
| <p>触电 在维护装置之前,请将所有的电源插头拔掉。 (但是在动态维护时不用拔掉)</p> |
| ⚠ CAUTION |
| <p>DISCONNECT ALL POWER SUPPLY CORDS BEFORE SERVICE TO AVOID ELECTRIC SHOCK. (EXCEPT FOR ACTIVE MAINTENANCE)</p> |
| ⚠ PRECAUCION |
| <p>Para evitar descargas eléctricas desconecte todos los cordones de las fuentes de alimentación antes de dar servicio.(excepto para mantenimiento activo)</p> |
| ⚠ ACHTUNG |
| <p>ZIEHEN SIE ALLE GERATENETZSTECKER ODER SCHALTEN SIE DIE STROMVERSORGUNGEN MIT DEM NETZTRENNSCHALTER AB, BEVOR SIE WARTUNGSARBEITEN VORNEHMEN, UM SICH VOR ELEKTRISCHEM SCHOCK ZU SCHÜTZEN. (AUSSER BEI AKTIVER WARTUNG)</p> |

Safety Label

Obey the following Safety Label:

| | | | | | |
|----------------|--------|--|------------------------------------|------------------|----------|
| | | | | | |
| MO04 | 腐電池請回收 | 9-2836/001-1 | TUV Rheinland Product Safety | TYPE APPROVED | C 175524 |
| | | <p>This Class A digital apparatus meets all requirements of the Canadian Interference-Causing Equipment Regulations.</p> <p>Cet appareil numérique de la classe A respecte toutes les exigences du Règlement sur le matériel brouilleur du Canada.</p> | | | |
| | | <p>This device complies with Part 15 of the FCC Rules. Operation is subject to the following two conditions: (1) This device may not cause harmful interference, and (2) this device must accept any interference received, including interference that may cause undesired operation.</p> | | | |
| XG2-XG2000R(A) | NI24 | <p>この装置は、クラスA情報技術装置です。この装置を家庭環境で使用すると電波妨害を引き起こすことがあります。この場合には使用者が適切な対策を講ずるよう要求されることがあります。</p> | | | |
| | | <p>VCCI-A</p> | | | |

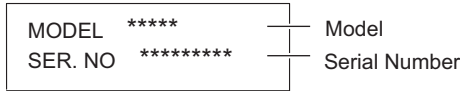
Product Nameplate

This indicates the model, part number, serial number, etc.

| | | | |
|---------------|---|------------|---------------------|
| Model | MODEL (型号) PD-XG2040** | Rev. Label | |
| Part Number | PART No.(传号) PA03547-B2** | A | ⊕ ⊖ 2 3 4 5 6 7 8 9 |
| Serial Number | SER.No.(序列号) P***** | | 0 1 2 3 4 5 6 7 8 9 |
| DATE | DATE (生产日期) ****-**-** | | 0 1 2 3 4 5 6 7 8 9 |
| | 100-240V ∅ 1.50/60Hz 2.2-1.0A / INPUT 14kg | | |
| | PFU Limited a Fujitsu company | | |
| | MADE IN JAPAN 日本制造 | | |

Product ID Label

This indicates the model and serial number.



MAC Label

This indicates the MAC address:

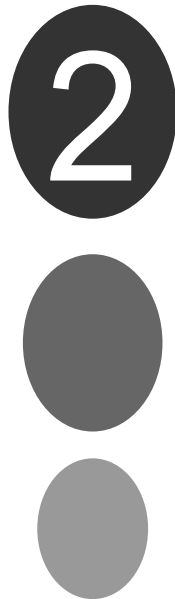
MAC Address:xx:xx:xx:xx:xx:xx~yy:yy:yy:yy:yy

MAC addresses are allocated as displayed on the MAC label:

| Address on the MAC label | Location |
|--|----------|
| xx:xx:xx:xx:xx:xx | Mng-LAN |
| xx:xx:xx:xx:xx:xx+1 | XG2000R |
| xx:xx:xx:xx:xx:xx+2 | Port 1 |
| xx:xx:xx:xx:xx:xx+3 | Port 2 |
| xx:xx:xx:xx:xx:xx+4 | Port 3 |
| xx:xx:xx:xx:xx:xx+5 | Port 4 |
| xx:xx:xx:xx:xx:xx+6 | Port 5 |
| xx:xx:xx:xx:xx:xx+7 | Port 6 |
| xx:xx:xx:xx:xx:xx+8 | Port 7 |
| xx:xx:xx:xx:xx:xx+9 | Port 8 |
| xx:xx:xx:xx:xx:xx+10 | Port 9 |
| xx:xx:xx:xx:xx:xx+11 | Port 10 |
| xx:xx:xx:xx:xx:xx+12 | Port 11 |
| xx:xx:xx:xx:xx:xx+13 | Port 12 |
| xx:xx:xx:xx:xx:xx+14 | Port 13 |
| xx:xx:xx:xx:xx:xx+15 | Port 14 |
| xx:xx:xx:xx:xx:xx+16 | Port 15 |
| xx:xx:xx:xx:xx:xx+17 | Port 16 |
| xx:xx:xx:xx:xx:xx+18 | Port 17 |
| xx:xx:xx:xx:xx:xx+19 | Port 18 |
| xx:xx:xx:xx:xx:xx+20 | Port 19 |
| xx:xx:xx:xx:xx:xx+21 (=yy:yy:yy:yy:yy:yy) | Port 20 |

Installation and Operation

This chapter explains how the user should proceed from installation to operation of the XG2000R.



| | | |
|-------|--|----|
| 2-1 | Installation Overview | 52 |
| 2-2 | Installation Procedure | 53 |
| 2-2-1 | Installation requirements | 53 |
| 2-2-2 | Installing the XG2000R in a rack | 54 |
| 2-2-3 | Unracking the XG2000R | 58 |
| 2-3 | Installation of modules | 59 |
| 2-3-1 | Installing the XFP modules | 59 |
| 2-3-2 | Uninstalling the XFP modules | 60 |
| 2-4 | Cable Connection | 61 |
| 2-4-1 | Connecting cables | 61 |
| 2-4-2 | Connecting the power cords | 61 |
| 2-5 | Basic Operation | 62 |
| 2-5-1 | Turning on the XG2000R | 62 |
| 2-5-2 | Turning off the XG2000R | 63 |

2-1 Installation Overview

This section reviews the flow of work as the user proceeds from installation to operation of the XG2000R.

Install the XG2000R and then proceed with normal operation as follows:

1 Check the components

•▶ "1-1 Parts List"

2 Check the set up area and install the XG2000R

•▶ "For Safe Use of the XG2000R", "2-2 Installation Procedure"

3 Installation of the XFP modules

Install the XFP modules in the XG2000R.

•▶ "2-3-1 Installing the XFP modules"

4 Connect the cables to the XG2000R

Connect the required fiber optic cables and power cords to the XG2000R.

•▶ "2-4 Cable Connection"

5 Check that everything is secure

Check that the XG2000R doesn't wobble and that no cables are loose.

6 Turn the power on

Check that the system starts up normally.

•▶ "2-5-1 Turning the XG2000R"

2-2 Installation Procedure

This chapter describes the installation requirements and installation procedure.

2-2-1 Installation requirements

Before installing the XG2000R, read "For Safe Use of the XG2000R (P.2)" and comply with the installation requirements described below.

Space requirements

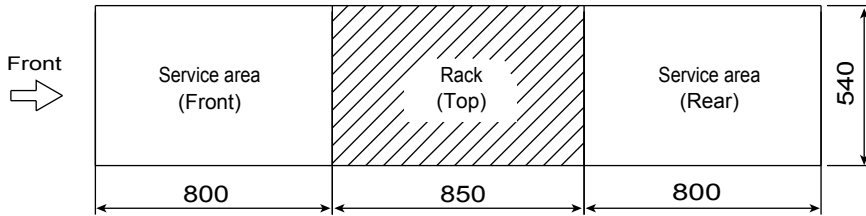
When installing the XG2000R, a certain amount of installation space is necessary. When installing the rack, the indicated space (800mm of both the front and rear of the rack) should be reserved as a service area. The following figures indicate examples of a 540mm (W) × 850mm (D) 19-inch rack and a 700mm (W) × 950mm (D) 19 inch rack.



When installing in any other 19-inch rack, refer to the user guide provided with the rack.

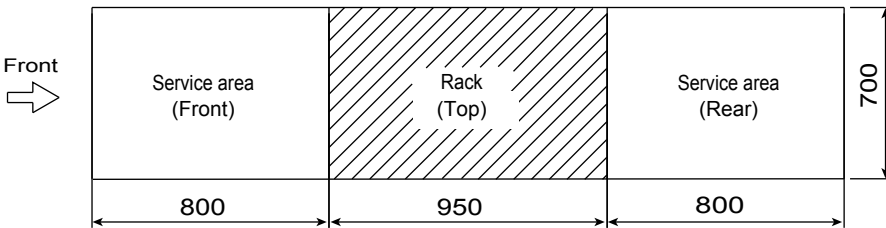
[540mm (W) X 850mm (D) 19-inch rack]

(Unit: mm)



[700mm (W) X 950mm (D) 19-inch rack]

(Unit: mm)



⚠ CAUTION

The XG2000R may be installed in any rack with an internal depth of between 640mm and 750mm.

Set up requirements

Only use the XG2000R under the temperature, humidity and other environmental conditions specified in "A.2 Installation Specifications (P.70)". Using the XG2000R outside the specified ranges can shorten the lifetime or cause the failure of the XG2000R.

- Temperature (5 - 40°C)
- Humidity (20 - 80%RH)

When installing the XG2000R in a rack, note the following.

- Certain types of racks cannot be used. To check whether the XG2000R can be installed in a given rack, contact the customer's representative.

CAUTION

- Remember that when an installed unit is operating, the temperature inside the rack will be higher than the external ambient temperature, particularly if the rack contains multiple units. The rack's internal ambient temperature should not be allowed to exceed the maximum ambient temperature specified for each installed unit. The maximum ambient temperature allowed for the XG2000R is 40°C.
- A certain amount of air is required for the XG2000R to operate safely. Make sure that adequate ventilation is provided and that the front and rear air vents are not obstructed.
- Be careful that the rack is able to supply sufficient power for all the installed units. To avoid overloading the rack, check the power requirements specified for the each installed unit. The power requirement of the XG2000R is 0.2kVA.
- Installing the XG2000R in a rack may cause the entire rack to become unstable. To avoid this, fix the rack to the wall or floor as appropriate.
- Check that all the installed units are correctly grounded. Special care should be taken if the unit's power supply is not drawn directly from the distribution board (such as when a power strip is used, for example). When multiple devices are connected to a single power strip, the combined leakage currents can overwhelm the grounding capacity of the power strip.
- Set the XG2000R nearby the AC outlet, and keep it within the reach of the power cord for pulling it easily. The XG2000R is shut off by pulling the power cord off the AC outlet.



.....
If rack is filled without any gap above and below XG2000R, both devices should have shorter depth so that FAN unit and power unit of XG2000R are able to be hot replaceable.
.....

2-2-2 Installing the XG2000R in a rack

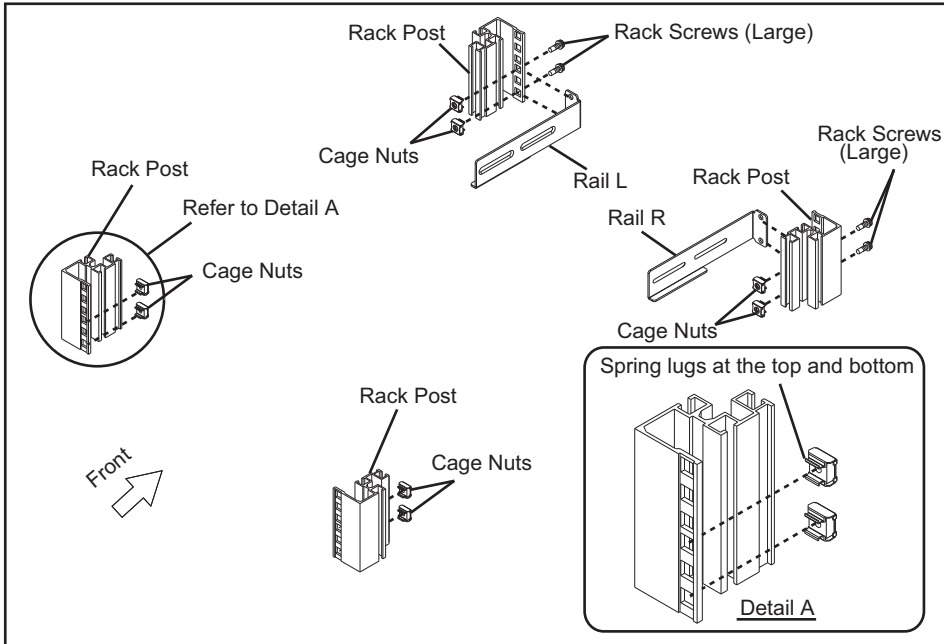
The following explains how to install the XG2000R in a 19-inch rack.

1. Take the XG2000R out of its box.

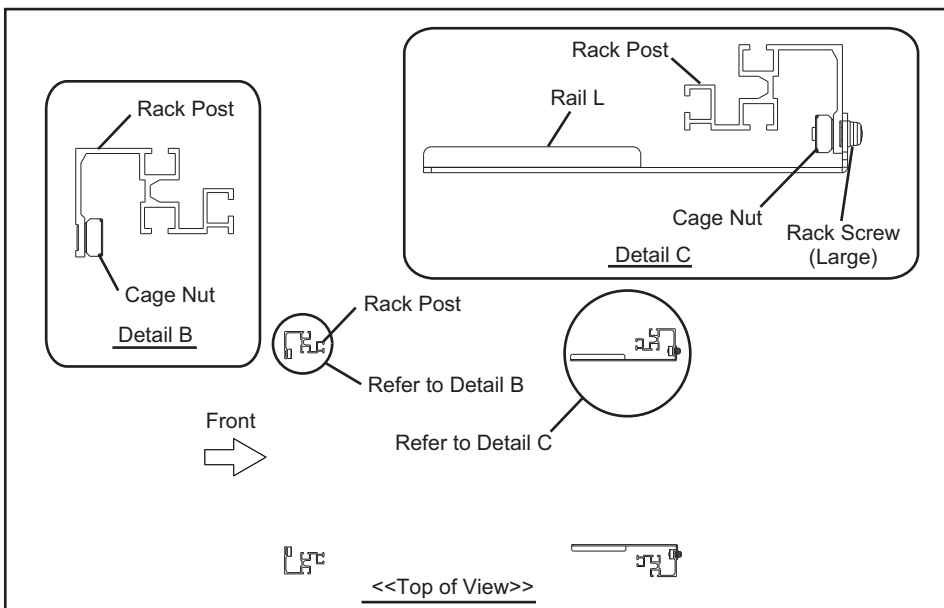
2. Fix the nuts and rails to the rack posts.

First, choose nuts, cage nuts or rack nuts, by the type of hole in the rack post. When the rack has square post holes, cage nuts are used. When the rack has round holes, rack nuts are used.

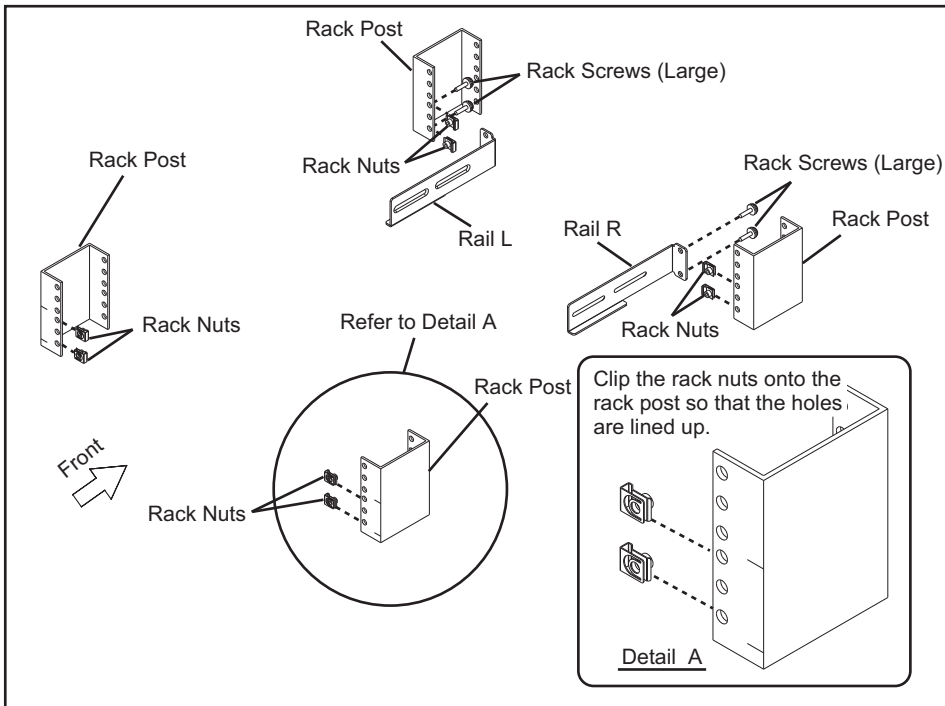
[When the rack has square post holes]



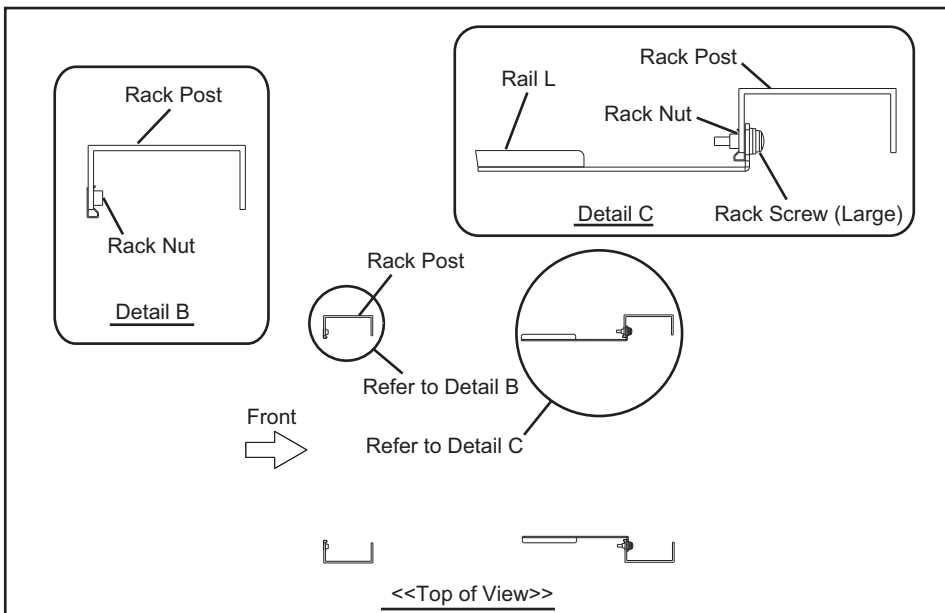
[When the rack has round post holes (top of view)]



[When the rack has round post holes]

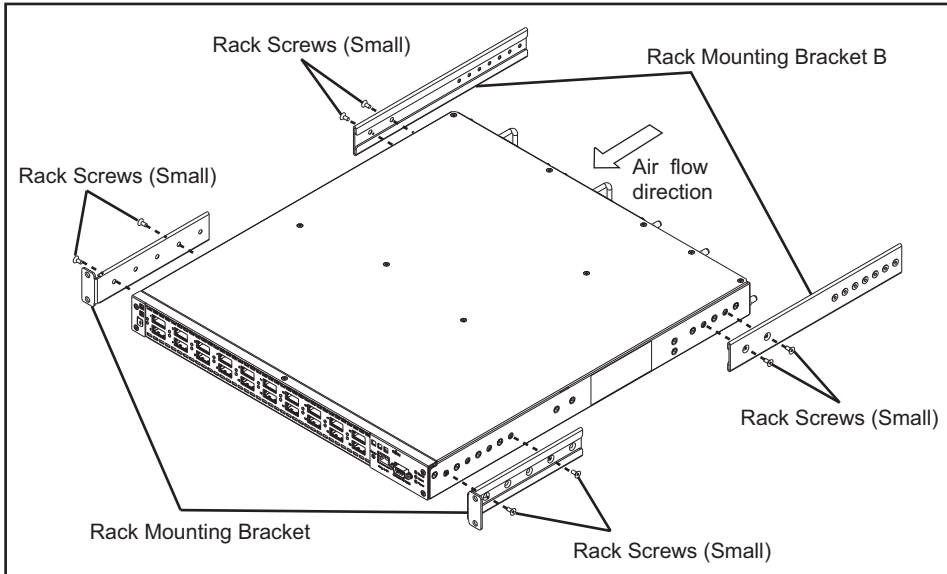


[When the rack has round post holes (top of view)]



3. Fix the four rack mounting brackets to the XG2000R.

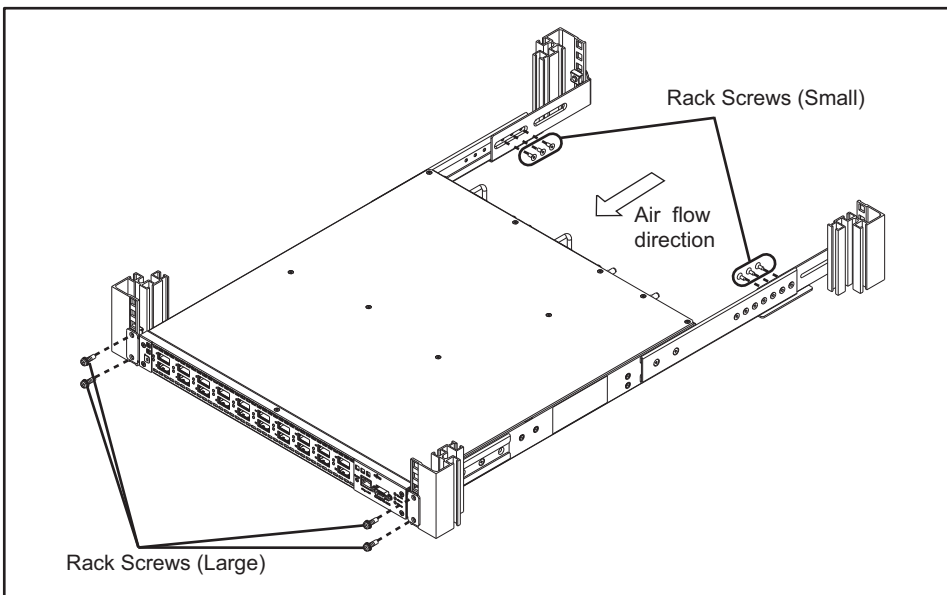
Each of the four rack mounting brackets (two of front side, two of back side) has two holes that should line up with matching holes on the sides of the XG2000R, as shown in the diagram. Attach each rack mounting bracket using the countersunk bracket screws provided.



4. Slide the XG2000R into the rack and fasten it in place.

Two rack mounting bracket of front side is fixed to the rack post with each of two rack screw (small), and two rack mounting bracket B of rear side is fixed to the rails (rail R and rail L) with each of three rack screws (small).

Securely tighten all the screws with a screwdriver.



2-3 Installation of modules

This section describes the installation of the XFP modules.

XFP modules can be hot swapped, ie. inserted or pulled out live.

2-3-1 Installing the XFP modules

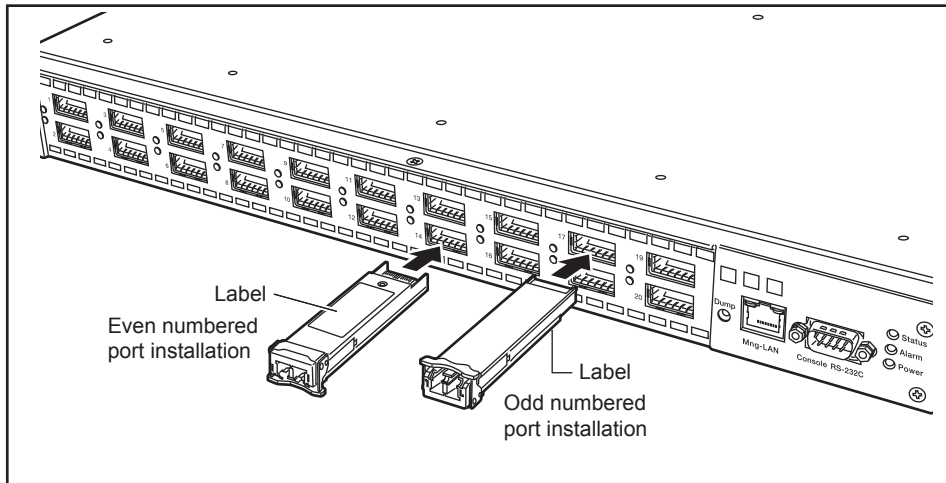
The following explains how to install XFP modules in a XG2000R.

XFP modules installed in XG2000R should be selected from the approved vendor list. Please contact your sales representative for the approved XFP module list.

1. Install a XFP module in a XG2000R.

Install XFP module as in the following manner;

- (1) Insert the XFP module with the cable connector facing outward.
When inserting into an odd numbered port, do so as the slot connector face down, with label facing down.
When inserting into a even numbered port, do so as the slot connector faces up, with label facing up.
- (2) Slide the XFP module into the slot until it snaps into place without lifting the lever. Once fully inserted, lift the lever up (or down) to lock the module.



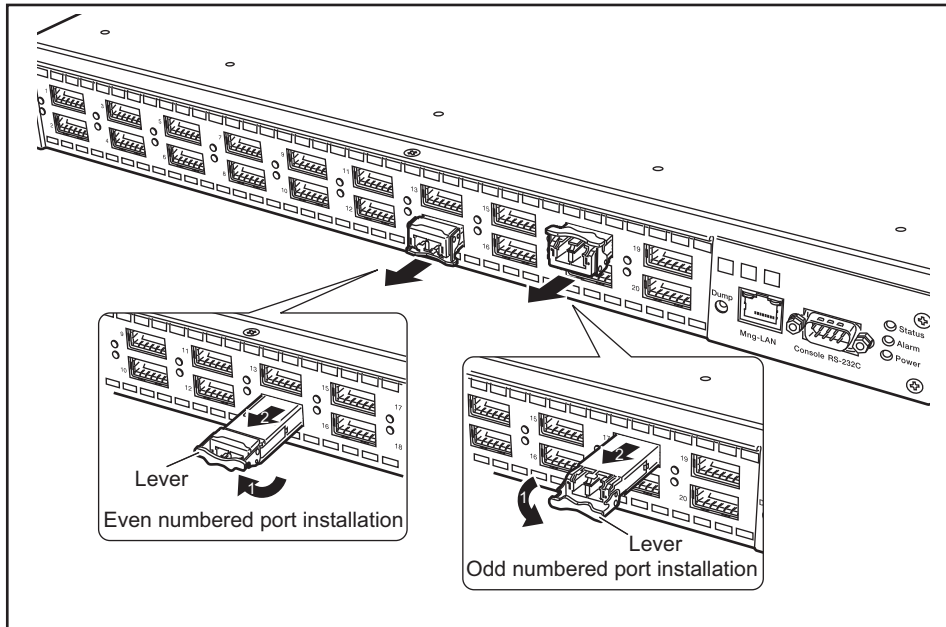
2-3-2 Uninstalling the XFP modules

The following explains how to uninstall XFP modules in a XG2000R.

1. Uninstall a XFP module in a XG2000R.

Uninstall the XFP module in the following manner;

- (1) Unlock the XFP module by lower the lever on odd numbered ports. Lift the lever up for even numbered ports.
- (2) Pull the XFP module out by the lever.



2-4 Cable Connection

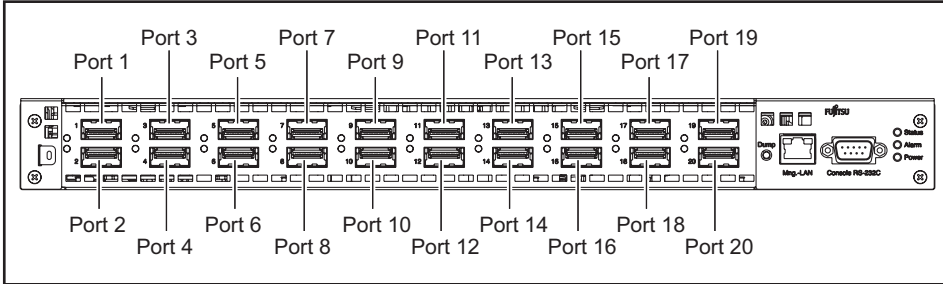
This section explains how to connect the cables and power cords.

2-4-1 Connecting cables

The cables need to be connected to the XG2000R XFP modules.

1. Connect the fiber optic cables to the XG2000R.

Connect the fiber optic cables to the XFP modules (Port 1 - Port 20) on the front of XG2000R.



⚠ CAUTION

A fiber optic connector is used when connecting two fiber optic cables. When connectors such as these are used, it is important that they be connected correctly. If a connector is misconnected, or cleaned incorrectly, it can be damaged. If the fiber optic connector is dirty or damaged, data transmission may become error prone and/or unstable.

Attention

- It is necessary that the connectors be fixed in the correct position in order to protect the connector interface against foreign objects such as dust.
- When a fibre connector is not clean or not fit snugly, it may not communicate - not link -. Unclean optic fibre connectors may result in optical loss therefore please keep it clean. When connectors are not used, protect them by dust covers from adhesion of dirt. Dust cover is not offered from us.
- Use alcohol pads for dirty optic fibre connections.

2-4-2 Connecting the power cords

After connecting the peripheral units, connect the XG2000R power cords. Refer to "For Safe Use of the XG2000R (P.2)".

2-5 Basic Operation

This section explains the basic operation of XG2000R.

2-5-1 Turning on the XG2000R

⚠WARNING

- Insert the power plug completely into the power socket. Using the XG2000R with a half inserted power plug may cause a fire or damage.
- If the XG2000R is to be left unused for any significant period, remove the power plug from the outlet for safety reasons. Failure to do so may cause a fire or damage.

⚠CAUTION

Do not move, shock, or vibrate the XG2000R while it is on.

1. Connect the power cords to the AC outlets.

Following shows the status of front panel LEDs.

| LED | Indication |
|--------|------------------------------------|
| Status | Blink |
| Alarm | Temporarily Orange then turns off* |
| Power | Turns on Green |

*:If an error occurs while the XG2000R is starting up, the Alarm LED (Orange) will start blinking.

2. When the system has finished starting up, the Status LED (Green) turns on.

2-5-2 Turning off the XG2000R

WARNING

- When you remove a power plug from its outlet, be sure to pull the only power plug itself. Pulling on the power cord itself may expose the cores or break the cord, and cause electric shock or fire.
- In case of strange heat, smoke, and/or a strange smell with XG2000R, immediately disconnect the power cord from the AC outlet. To make this easy, set the XG2000R nearby the AC outlet, and keep it within the reach of the power cord for pulling it easily. After the power is disconnected, contact the vendor's service department immediately. Continued use of the XG2000R may cause an electric shock and fire. Note that in this case, the state of data in transmission is not guaranteed.

1. Execute the "system shutdown" command.

Confirm the firmware update is not in progress, then execute "system shutdown" from a CLI.



For details of the system shutdown command, refer to the "Command Reference" section in the "XG2000 series User's Guide".

When XG2000R is shutdown, the Alarm LED at the front turns on and the Power Supply LED at the rear blinks green.



"Display LEDs (P.46)"

2. Disconnect the two AC power cords from the AC outlet.

Troubleshooting

This chapter describes what you should do when your XG2000R fails to operate properly.



| | |
|----------------------------|----|
| 3-1 Start-up Problems..... | 66 |
| 3-2 Hardware Problems..... | 67 |

3-1 Start-up Problems

The following errors may occur when the XG2000R is started up. If the cause of the error cannot be resolved, contact the vendor's service department. The following explains some general errors that can occur. Check if any of these match your problem.

The XG2000R does not turn on

[Symptom] The power cord is inserted to the power outlet, but the XG2000R does not turn on.

[Cause] Possible causes:

- 1 The power cord is loosened or pulled out.
- 2 Hardware failure.

[Action] In the following sequence:

- 1 Check that all power cords are connected properly. Try substituting power cords.
- 2 If the XG2000R fails to power on then contact the vendor's service department.

Status LED blinks, but the XG2000R does not start up

[Symptom] The XG2000R has not started within a few minutes of power on and the Status LED keeps blinking.

[Cause] Probable hardware failure.

[Action] Contact the vendor's service department.

Alarm LED lights, but the XG2000R does not start up

[Symptom] The XG2000R has not started within a few minutes of power on and the Alarm LED (Orange) lights.

[Cause] Probable hardware failure.

[Action] Contact the vendor's service department.

3-2 Hardware Problems

This section explains what should be done when a fan, temperature, voltage, power supply, memory, or XFP error occurs. Contact the vendor's service department when the following errors occur.

Fan error

When a problem is detected with a fan, the front panel Alarm LED lights orange, the LED of the fan unit in which the error has occurred lights orange, and an error is recorded in the event log. If a fan error occurs, contact the vendor's service department.

Temperature error

When the XG2000R overheats, the Alarm LED lights orange, and a temperature error is recorded in the event log. In this case, check that the ambient and internal rack temperatures are within the specified temperature range, adjust them if they are not and try turning the XG2000R back on. If the error continues to occur even though the ambient rack temperature is acceptable, turn the XG2000R off and contact the vendor's service department.

Voltage error

When a voltage problem is detected, the Alarm LED lights orange, and an error is recorded in the event log. In this case, turn the XG2000R off and contact the vendor's service department.

Power supply error

When a power supply problem is detected, the Alarm LED lights orange, the power supply LED of the power supply unit in which the error has occurred lights orange, and an error is recorded in the event log. Verify that the AC power cord is not loose. If some other reason has caused the power supply LED to light up, contact the vendor's service department.

Memory error

Memory initial diagnostic is performed at turn on. If Memory error is detected, system boot up is stopped. Error information is indicated on the console screen at boot up. In that case, front alarm / operation indicators keep "Boot up" status. Therefore please confirm whether console is functioning when the "Boot up" status continues more than three minutes. When it occurs, memory initial diagnostic error may have occurred.

When single bit error is detected at system boot up, event log is recorded. When it occurs frequently or multiple bit memory error is detected, system will be reboot.

When single bit memory error or multiple bit memory error is detected repeatedly, contact service representative of your seller.

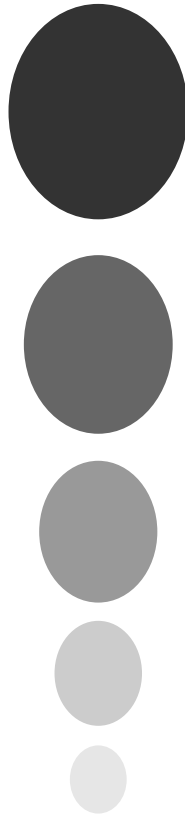
XFP error

When a problem is detected with a XFP module, an error is recorded in the event log. In addition, if the transceiver in the XFP module overheats, the system shutdown the XFP module (Power is to be shut down).

When XFP halts, the port communication is ceased. Following "2-3-1 Installing the XFP modules(P.59)" and "2-3-2 Uninstalling the XFP modules(P.60)" procedure, replace XFP module.

Appendix

This appendix explains XG2000R specifications.



| | |
|---|----|
| Appendix-A Specifications | 70 |
| A.1 Product Specifications | 70 |
| A.2 Installation Specifications..... | 70 |
| Appendix-B China RoHS Declaration for the XG2000R | 71 |
| Appendix-C EC Declaration for the XG2000R..... | 72 |

Appendix-A Specifications

This section details the specifications of XG2000R.

A.1 Product Specifications

The product specifications of the XG2000R are as follows:

| Items | | Overview |
|------------------|----------------|--|
| 10 Gigabit ports | Port1 - Port20 | IEEE802.3ae/ak compliant 10 Gigabit Ethernet port × 20 (for XFP modules) Hot swappable |
| Serial Port | | RS-232C D-SUB9 × 1 Console connection port |
| Management LAN | Mng-LAN | 10BASE-T/100BASE-TX × 1 |
| Indicators | LED | Power (Green), Alarm (Orange), Status (Green), Rear fan × 2, Power supply units × 2 |

A.2 Installation Specifications

The installation specifications of the XG2000R are as follows:

| Items | | Specifications |
|---------------------------------------|-------------|----------------------------------|
| Dimensions (Excluding protrusions) | Width | 440mm |
| | Depth | 480mm |
| | Height | 43.8mm |
| Maximum weight | | 14kg |
| Power cord | | for 3-pin socket (grounded) * |
| Power source | Voltage | AC100 (-10%) - 240V (+10%) |
| | Phase | Single-phase |
| | Frequency | 50 or 60Hz (+2% / -4%) |
| Input current | | 100-240V 2.0-1.0A/Input |
| Ambient temperature | XG2000R on | +5 - +35°C (Inlet temperature) |
| | XG2000R off | 0 - +50°C (Inlet temperature) |
| Ambient humidity | XG2000R on | 20 - 80%RH (Non-condensing) |
| | XG2000R off | 8 - 80%RH (Non-condensing) |
| Temperature gradient | XG2000R on | 15°C/hr or less (Non-condensing) |
| | XG2000R off | |
| Ambient dust | | 0.15mg/m3 or less |
| Ambient noise | | 55dB or less |
| Electromagnetic compatibility | | FCC Class A CE Marking |
| Service area | Front | 800mm |
| | Rear | 800mm |
| Installation | | 1U in a 19-inch rack |

* : The power cord provided with the device is for exclusive use for USA and Canada.
Power cord must meet the requirements of the country where you use this product.
If you use this product in other country or use with more than 125V, contact your vendor's representative. (Refer to "Power Cord Requirements (page 7)").

Appendix-B China RoHS Declaration for the XG2000R

This document describes China RoHS Declaration for the XG2000R.

产品中有毒有害物质或元素的名称及含量

| 部件名称 | 有毒有害物质或元素 | | | | | |
|----------|-----------|--------|--------|---------------|------------|--------------|
| | 铅 (Pb) | 汞 (Hg) | 镉 (Cd) | 六价铬 (Cr (VI)) | 多溴联苯 (PBB) | 多溴二苯醚 (PBDE) |
| 印刷线路板 | × | ○ | ○ | ○ | ○ | ○ |
| 电源 | × | ○ | ○ | ○ | ○ | ○ |
| 风扇 | × | ○ | ○ | ○ | ○ | ○ |
| 机箱、机械部件等 | × | ○ | ○ | ○ | ○ | ○ |
| 电缆 | × | ○ | ○ | ○ | ○ | ○ |
| 表示标签 | ○ | ○ | ○ | ○ | ○ | ○ |

○：表示该有毒有害物质在该部件所有均质材料中的含量均在 SJ/T 11363-2006 规定的限量要求以下。
 ×：表示该有毒有害物质至少在该部件的某一均质材料中的含量超出 SJ/T 11363-2006 规定的限量要求。



这标记是按照2006年2月28日公布的[电子信息产品污染控制管理办法]以及SJ/T11364-2006[电子信息产品污染控制标识要求]在中国销售的电子信息产品的环保使用期限。如遵守关于这产品的安全或使用上的注意、在这期限内(从生产日期起算)不会因产品中的有害物质漏到外部、或发生突然变异、而引起环境污染和对人体或财产的重大影响。



Appendix-C EC Declaration for the XG2000R

EC declaration of conformity and the technical documentation are kept at the following.

| | |
|--------------|--|
| address | Fujitsu Services Limited 22 Baker Street London W1U 3BW |
| Phone number | +44-786-782-3346 |
| Product Type | 10GbE L2 Switch |
| Model Number | PD-XG2040FB / PD-XG2040FC |

XG2000R Hardware Guide

P3N1-E212-03EN

April, 2011

PFU LIMITED

Printed in Japan

-
- Contents of this manual are not to be reproduced without permission from PFU.
 - The contents of this manual may be updated without notice.
 - PFU assumes no liability for damages to third party copyrights or other rights arising from the use of any information in this manual.
 - Manuals with missing or wrongly collated pages will be replaced free of charge.
-